

Bardan

HIGH SPEED AUTOMATIC EMBROIDERY MACHINE

BEDTHE-ZQ-C01

PARTS LIST

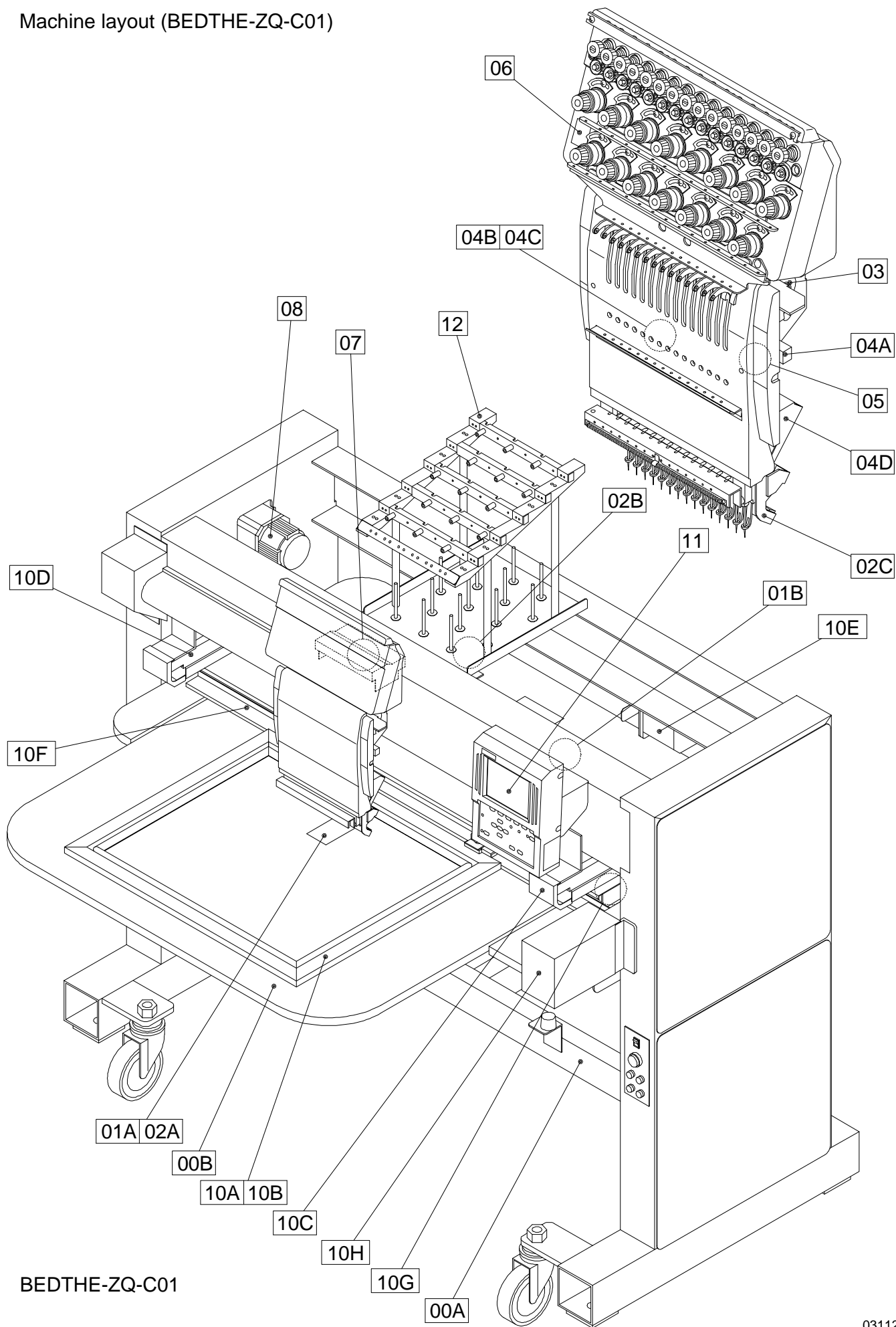
B E D T H E - Z Q - C O 1

HIGH SPEED AUTOMATIC EMBROIDERY MACHINE

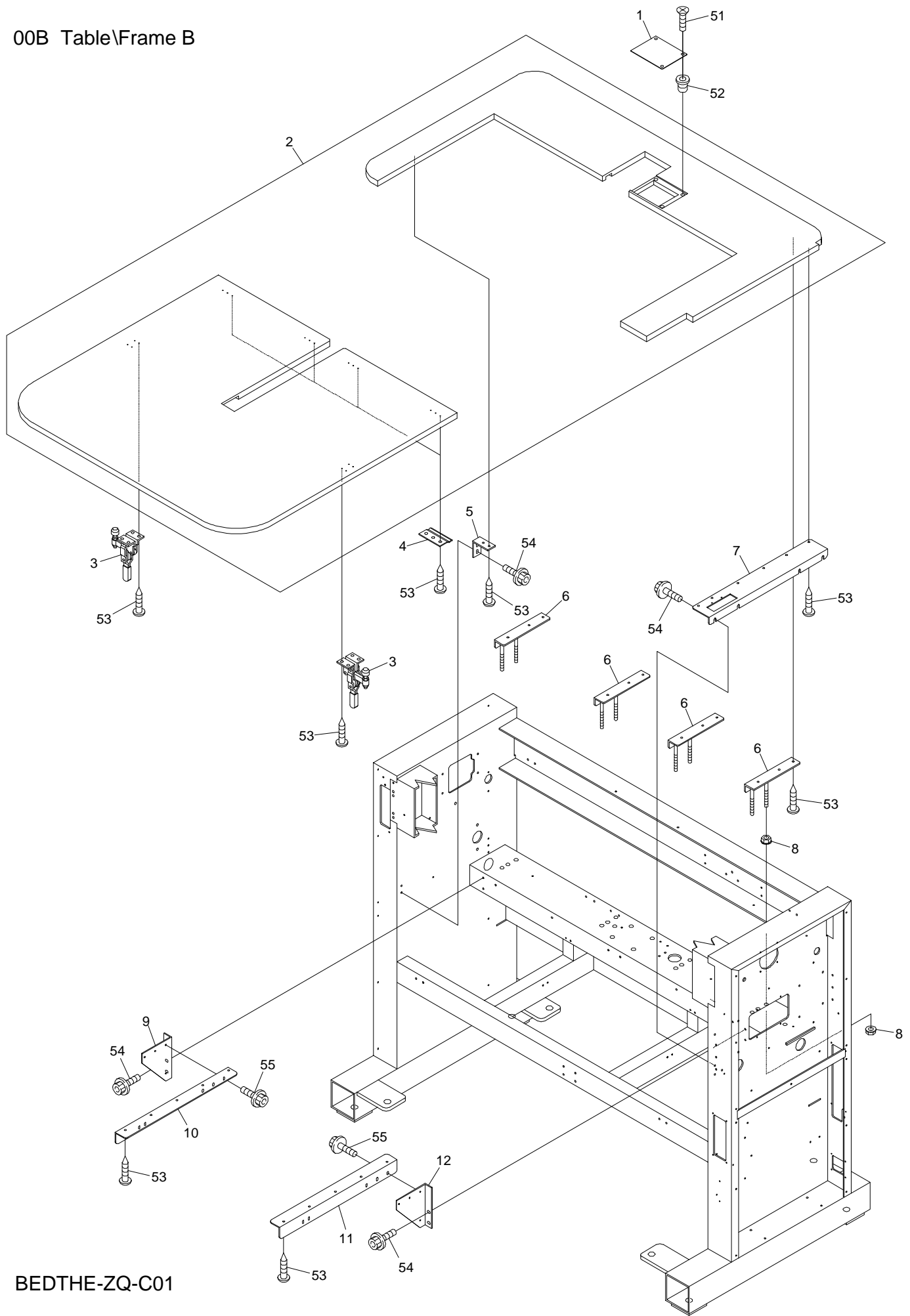
C O N T E N T S

Machine layout	06	Thread guide
00A Table· Frame A	07	Color change
00B Table· Frame B	08	Drive
01A Head· Bed A	10A	Pantograph drive A
01B Head· Bed B	10B	Pantograph drive B
02A Thread cut A	10C	Pantograph drive C
02B Thread cut B	10D	Pantograph drive D
02C Thread cut C	10E	Pantograph drive E
03 Take up lever	10F	Pantograph drive F
04A Needle bar A	10G	Pantograph drive G
04B Needle bar B	10H	Pantograph drive H
04C Needle bar C	11	Control
04D Needle bar D	12	Accessories
05 Jump		INDEX

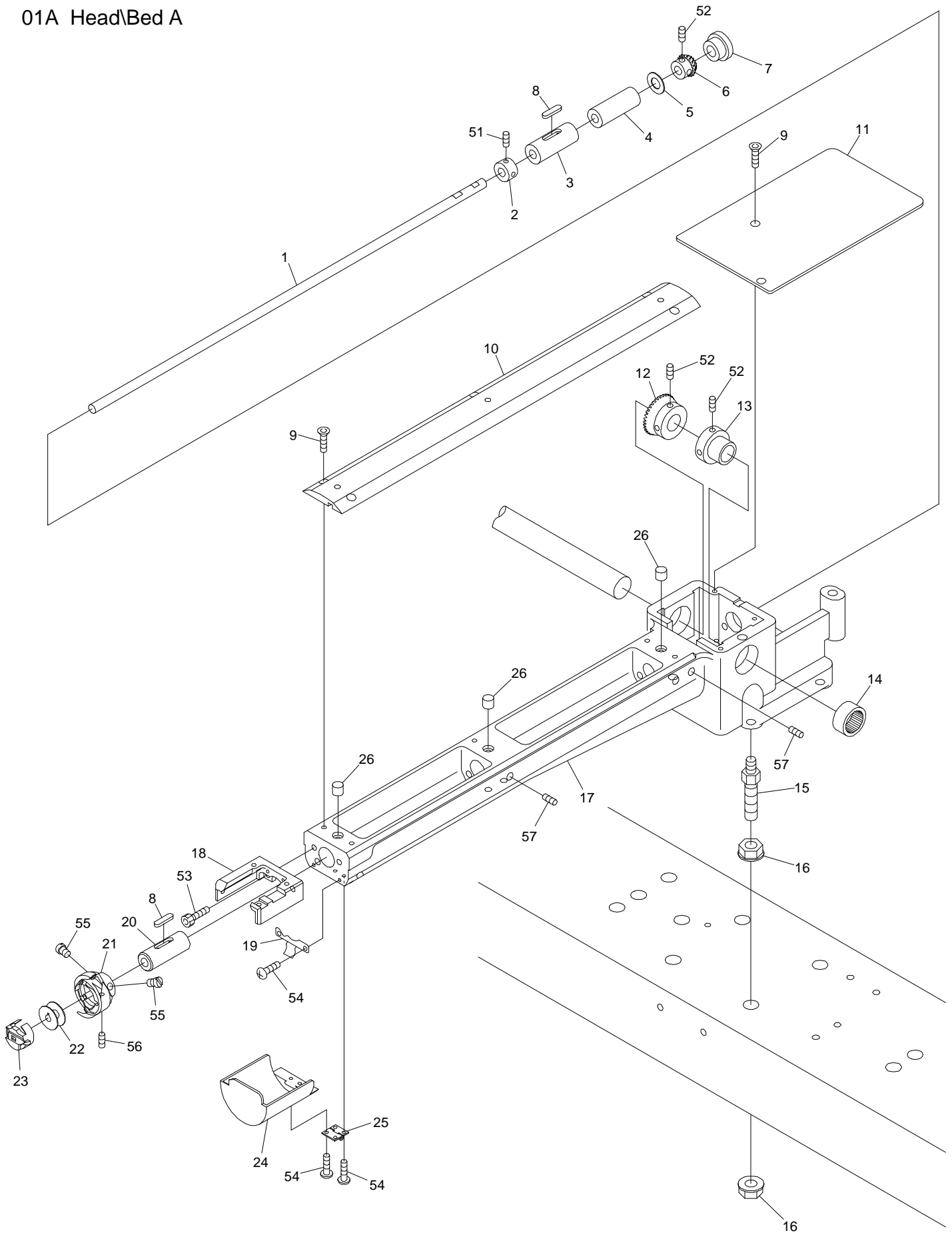
Machine layout (BEDTHE-ZQ-C01)



BEDTHE-ZQ-C01

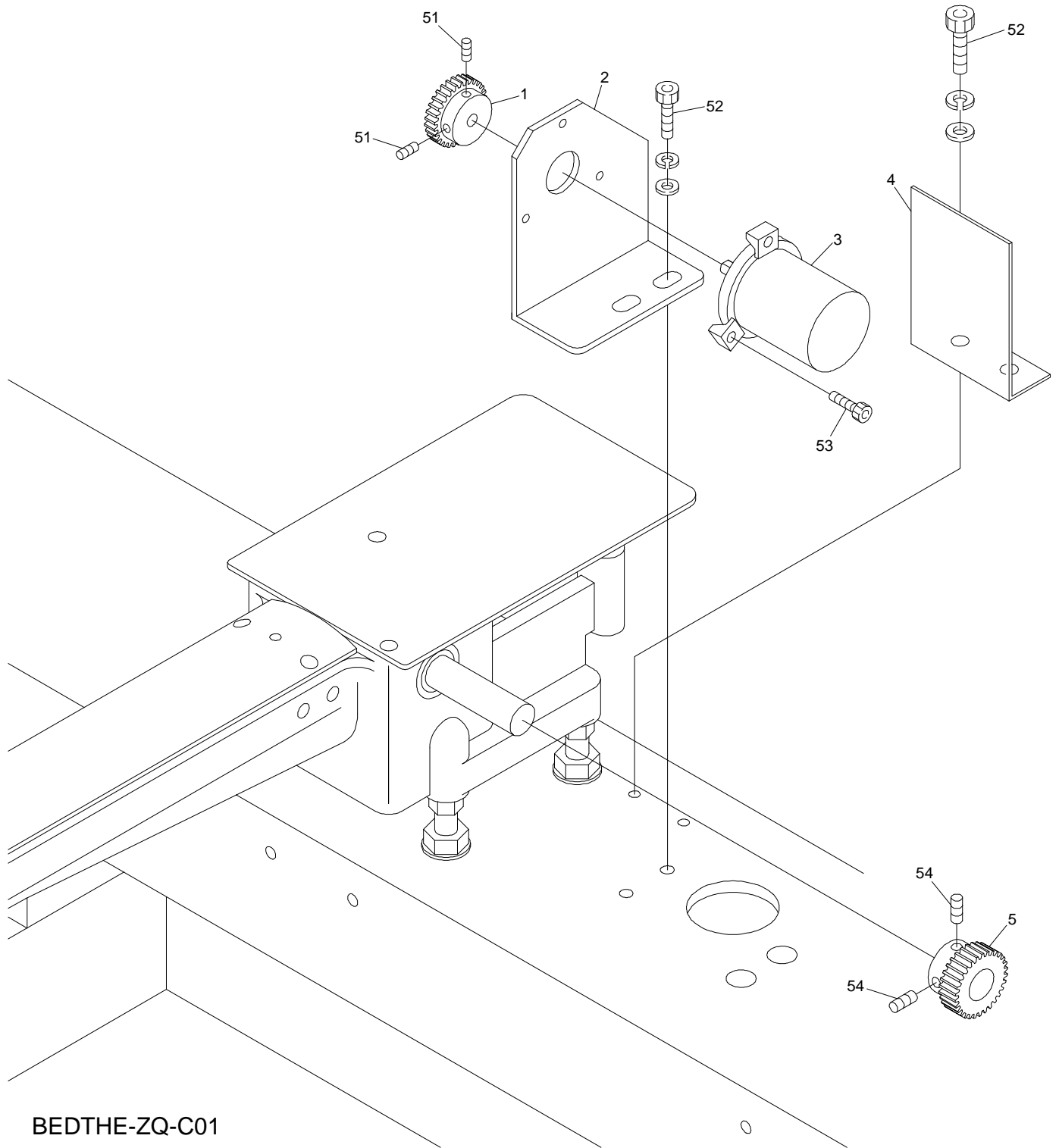


01A Head\Bed A

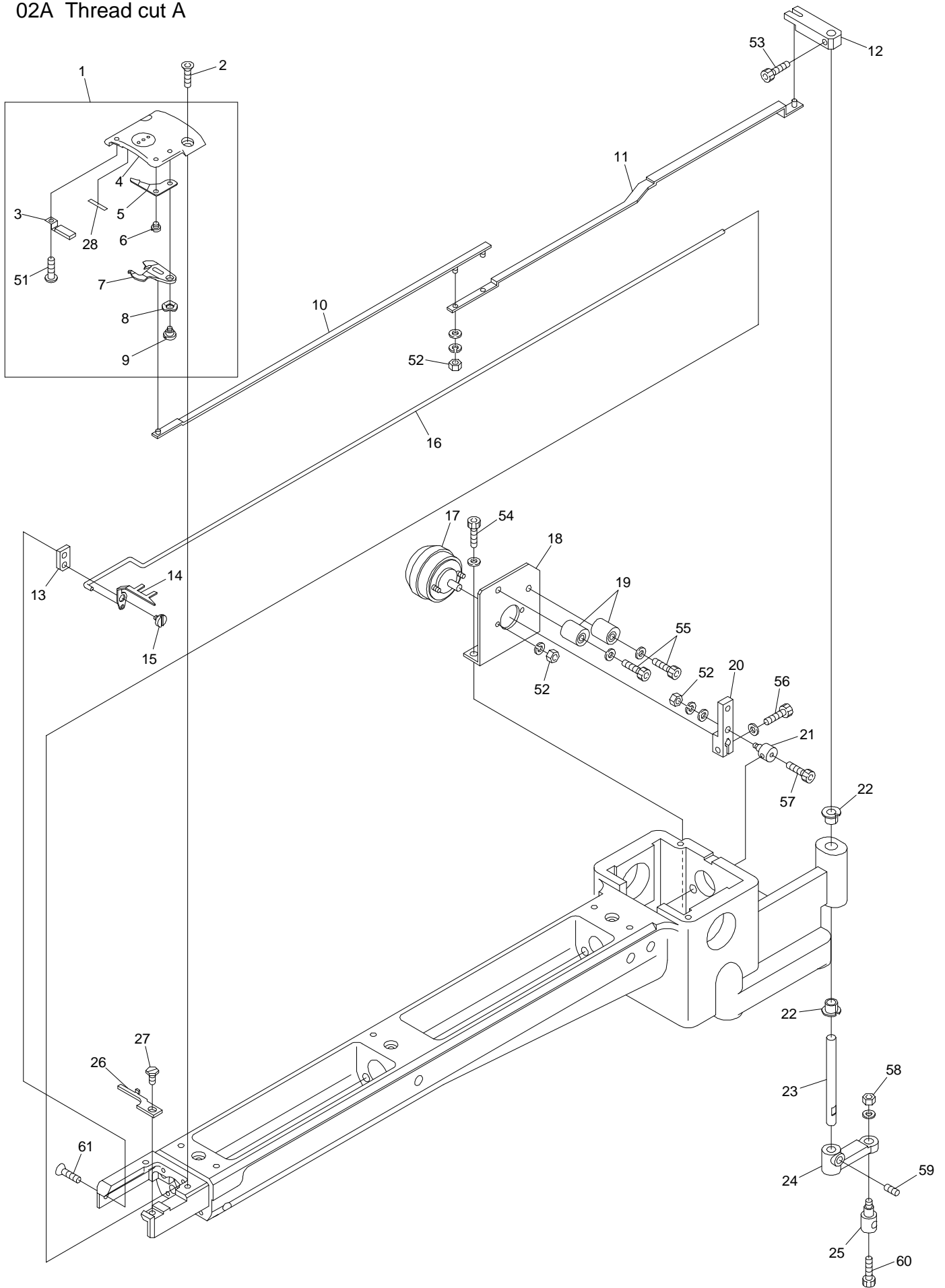


BEDYHE-YN-C BEDSHE-ZQ-BS BEDYHE-Z12/ZQ-C BEDTHE-ZQ-C01

01B Head/Bed B



02A Thread cut A

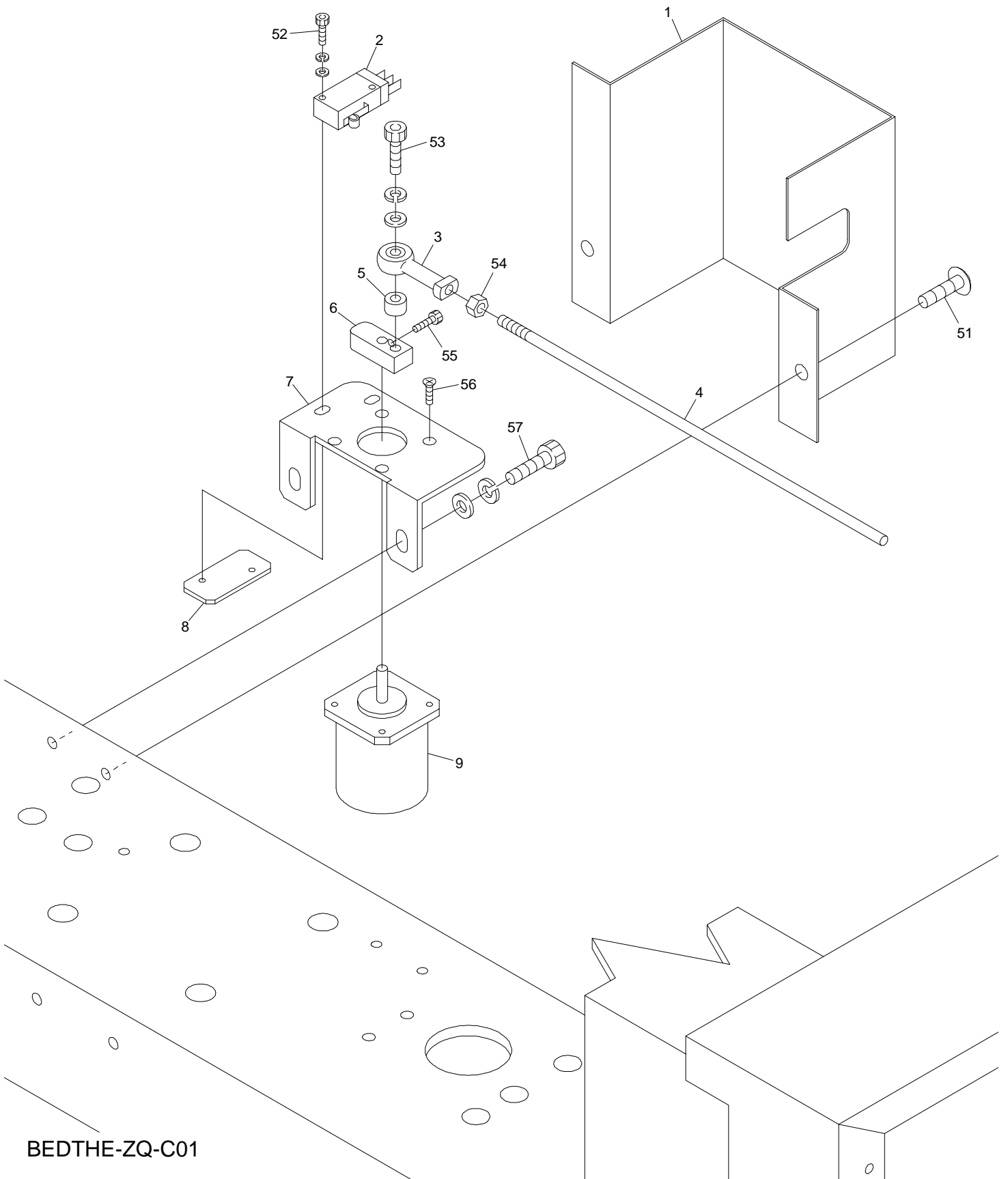


BEDYHE-YN-C BEDSHE-ZQ-BS BEDYHE-Z12/ZQ-C BEDTHE-ZQ-C01

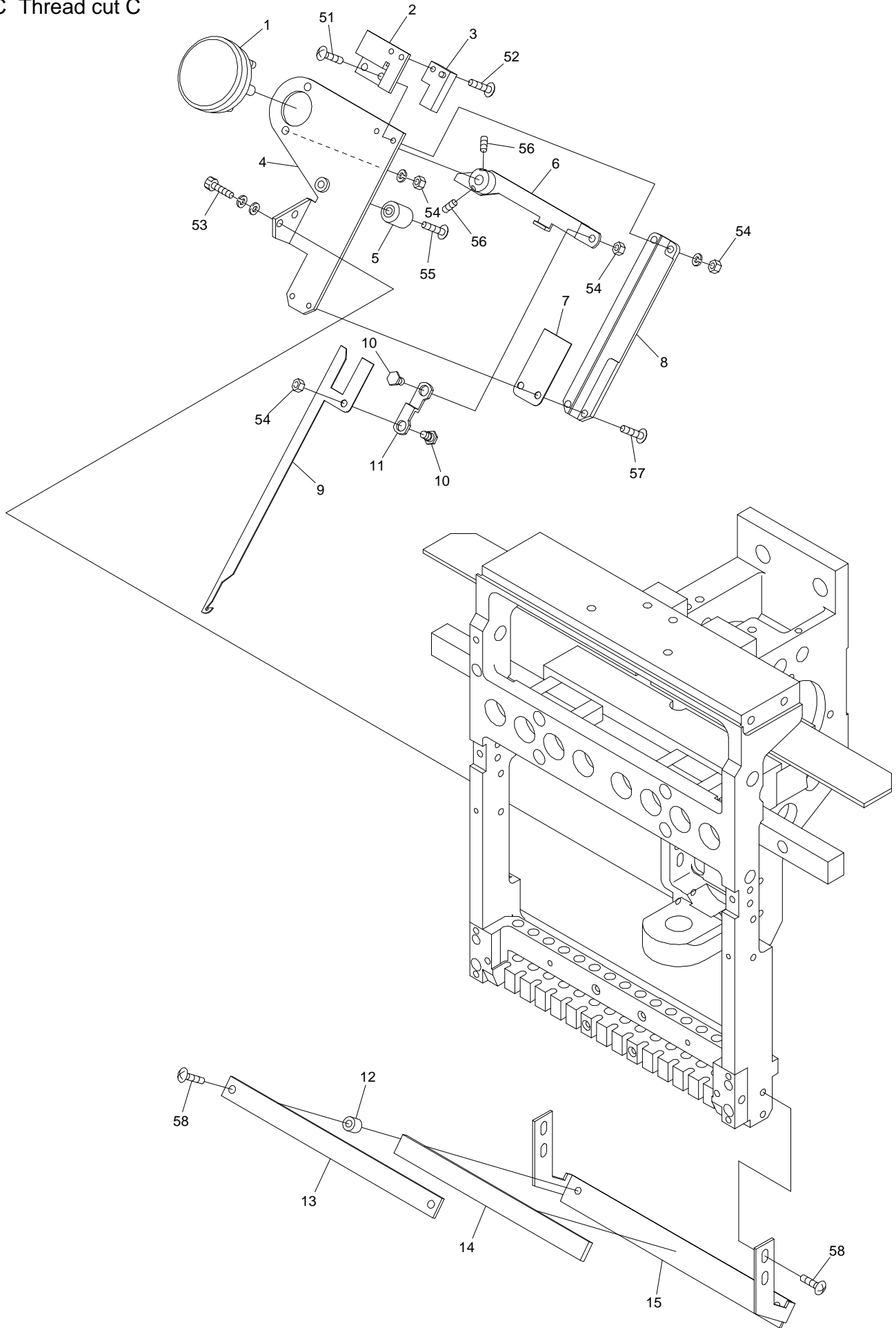
02A Thread cut A

ITEM	LIST No.	DESCRIPTION	Q'TY	NOTE
1	SJ270120	Throat plate a'ssy (With lower thread support)	H x1	
2	KX250080	Throat plate set screw(Hex.socket)	H x2	
3	HT270181	Lower thread support stay(Cylinder) CMP	H x1	
4	SJ270020	Cylinder throat plate	H x1	
5	SJ270040	Fixed knife	H x1	
6	KX270010	Fixed knife set screw	H x1	
7	SJ270030	Driving knife	H x1	
8	A9013066	Wave washer(WW5)(SK)	H x1	
9	KN272010	Lower thread knife rotary shaft	H x1	
10	HS210111	Lower thread knife drive rod A	H x1	
11	HS210121	Lower thread knife drive rod B	H x1	
12	HS210100	Lower thread knife drive lever upper	H x1	
13	HS210051	Fork fixed stay(Short type)	H x1	
14	HS210300	Fork(Cylinder MK5)	H x1	
	HS210142	Fork(For middle bobbin)	H x1	
15	KC271001	Upper thread knife rotary shaft	H x1	
16	HS210070	Fork drive rod	H x1	
17	A9056040	Rotary solenoid - 3ER25-30x3x8x9(24V)	H x1	
18	SJ210040	Solenoid stay(Short small bobbin)	H x1	
	HS210060	Solenoid stay(For middle bobbin)	H x1	
19	KN272401	Stopper eccentric	H x2	
20	KC271940	Solenoid lever A	H x1	
21	HS210080	Connecting clamp	H x1	
22	A9011173	DU bushing with flange(MB0606-12FDU)	H x2	
23	HS210090	Knife lever rotary shaft	H x1	
24	KN271560	Knife lever	H x1	
25	HM270000	Connecting bar clamp	H x1	
26	KX270000	Position Finger Bracket	H x1	
27	KX270430	Screw(Cylinder)	H x1	
28	SJ270110	Lower thread support magic tape(For cylinder)	H x1	
51		Pan screw M3x3		
52		Hex.nut M3		
53		Hex.socket bolt M4x6		
54		Hex.socket bolt M4x8(With plain washer)		
55		Hex.socket bolt M4x18		
56		Hex.socket bolt M4x10		
57		Hex.socket bolt M3x5		
58		Hex.nut M4		
59		Hex.socket set screw M5x6		
60		Hex.socket bolt M4x8		
61		Hex.socket flush screw M4x6		

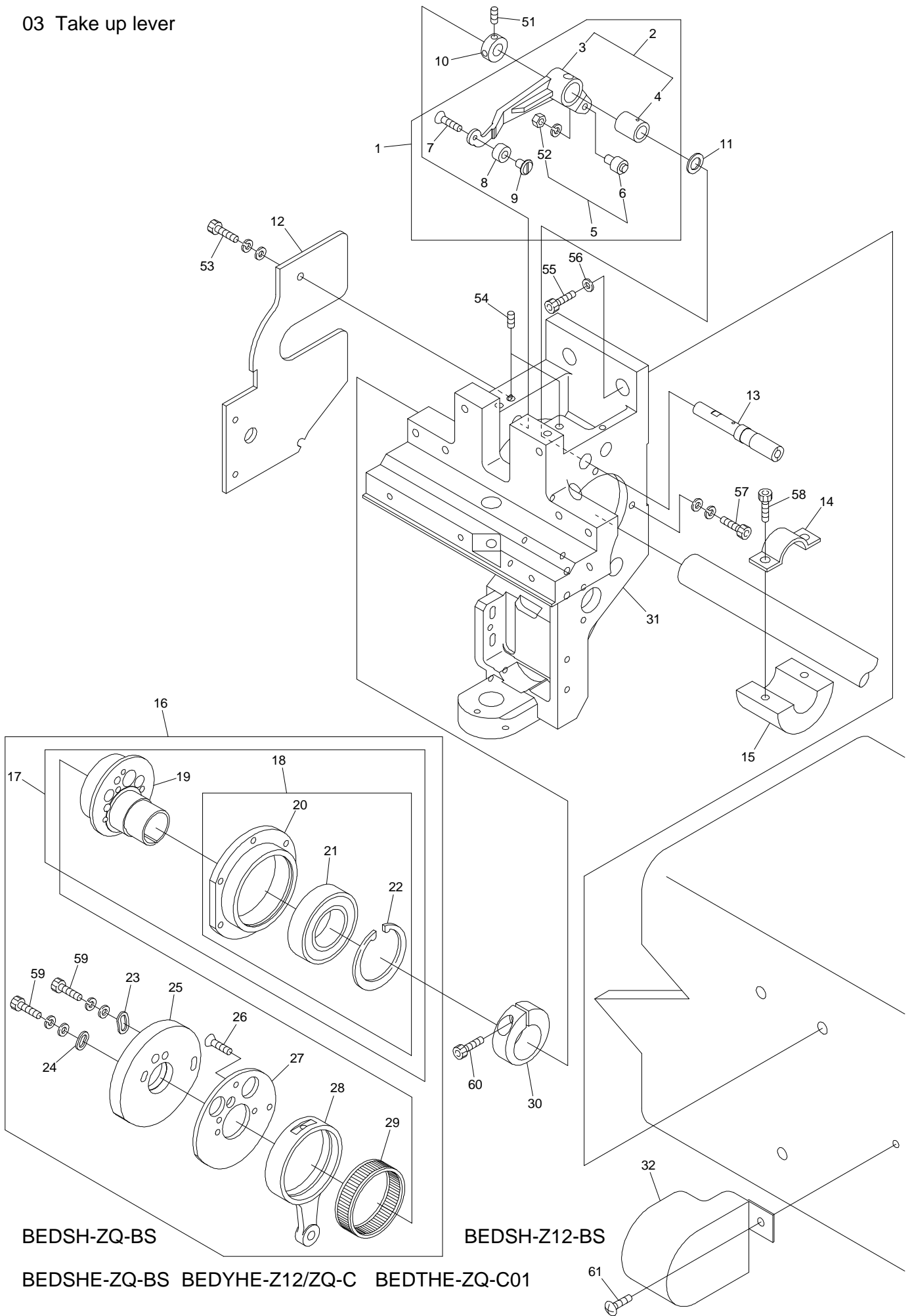
02B Thread cut B



02C Thread cut C



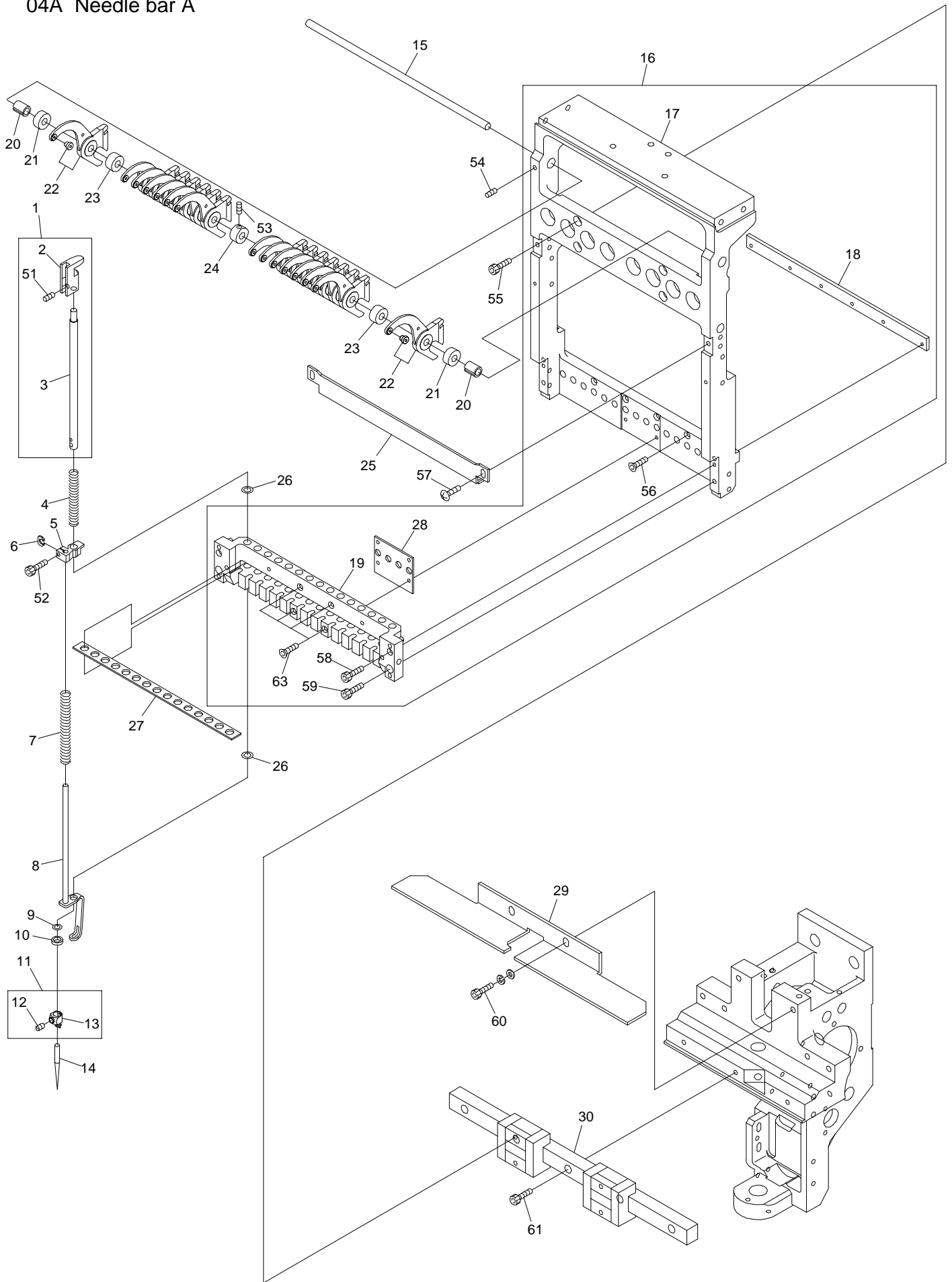
03 Take up lever



03 Take up lever

ITEM	LIST No.	DESCRIPTION	Q'TY	NOTE
1	RV230070	Take up lever driving lever a'ssy	H x1	
2	RH230801	Take up lever driving lever(Metal)	H x1	
3	RH230311	Take up lever driving lever	H x1	
4	RH230810	Take up lever metal	H x1	
5	KF230501	Take up lever roller a'ssy	H x1	
6	KF230680	Cam followers(KRx4x7.9x15-1Px1)	H x1	
7	HB230650	Flush screw(With adhesion)	H x1	
8	RV230060	Take up lever driving roller	H x1	
9	RD230130	Take up lever driving roller shaft	H x1	
10	HB230800	Take up lever driving lever fixing pin set collar	H x1	
11	RH230610	Thrust washer	H x1	
12	SL230130	Arm reinforcement bracket	H x1	
13	RH230320	Take up lever driving lever fixing pin	H x1	
14	RR320030	Balancer set plate(For Ø20 shaft)	H - 2	DSH
15	RR320020C	Balancer for Ø20 shaft	H - 2	DSH
16	SG230350	Take up lever Needle bar drive a'ssy	H x1	
17	RN230010	Needle bar driving cam a'ssy	H x1	
18	RN230030	Bearing case a'ssy	H x1	
19	RN230020	Needle bar driving cam(Eccentric 9.2 Ø20)	H x1	
20	RN230040	Bearing case	H x1	
21	A9010073	Ball bearing(6005ZZ)	H x1	
22	A9012421	C-ring for hole Ø47	H x1	
23	HB230080	Washer for cam(2)	H x1	
24	HB230070	Washer for cam(1)	H x1	
25	SG230340	Take up lever cam H6RN(Ø20)	H x1	
26	HB230620	Flush screw	H x3	
27	RH230300	Take up lever cam base	H x1	
28	RH230280	Needle bar crank rod	H x1	
29	RH230271	Needle bearing	H x1	
30	RH230330	Needle bar driving cam set collar	H x1	
31	SL210090	Arm	H x1	1st head
	SL210081	Arm	H x1	Except for 1st head
32	SM250140	Side cover(First head)	1	
51		Hex.socket set screw M4x4(With adhesion)		
52		Hex.nut M4(With spring washer)		
53		Hex.socket bolt M4x10(With washers)		
54		Hex.socket set screw M5x5		
55		Hex.socket bolt M8x25		
56		Disc spring 8		
57		Hex.socket bolt M4x15(With washers)		
58		Hex.socket bolt M5x15		DSH
59		Hex.socket bolt M4x8		
60		Hex.socket bolt M5x18		
61		Truss screw M5x8		

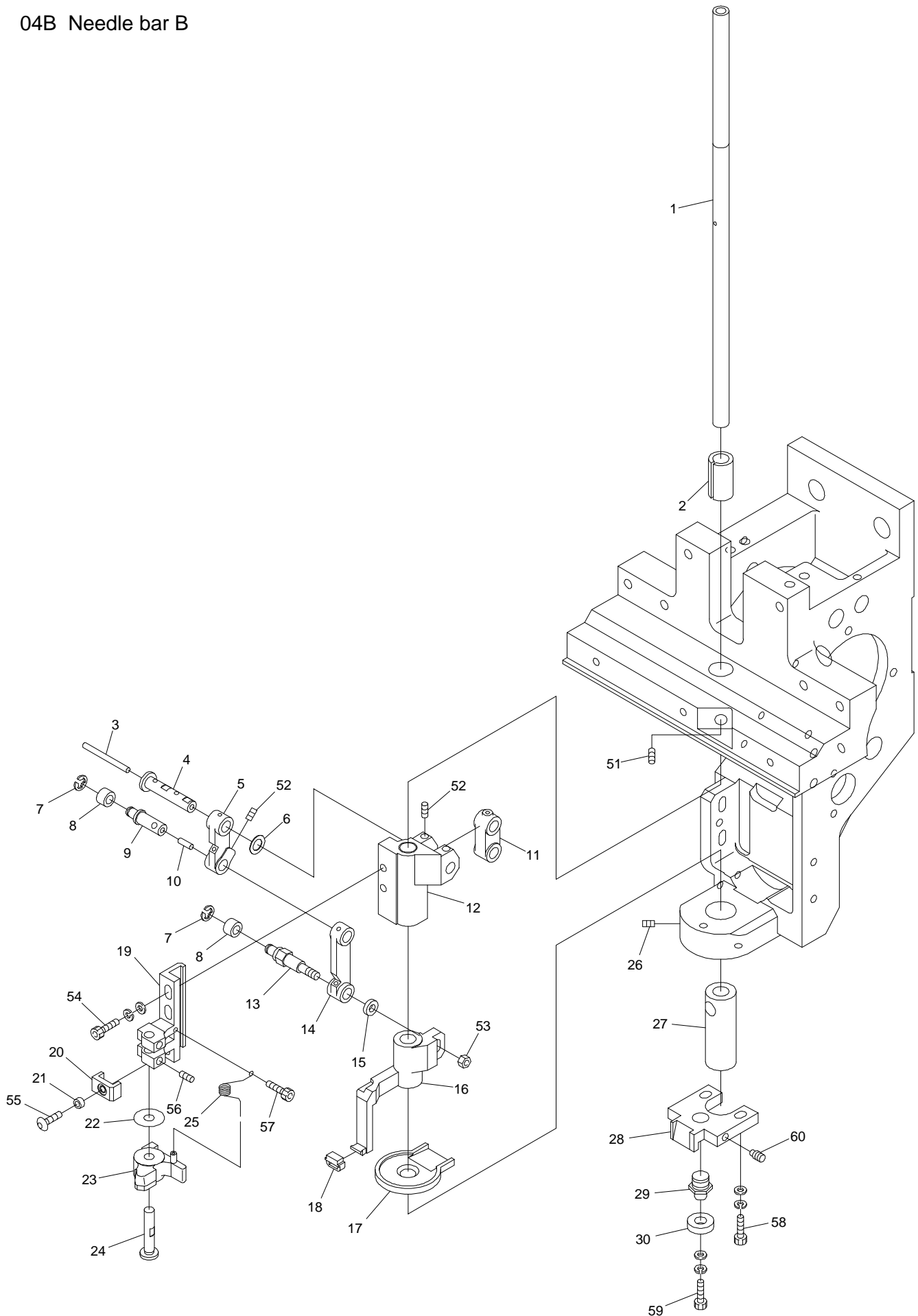
04A Needle bar A



04A Needle bar A

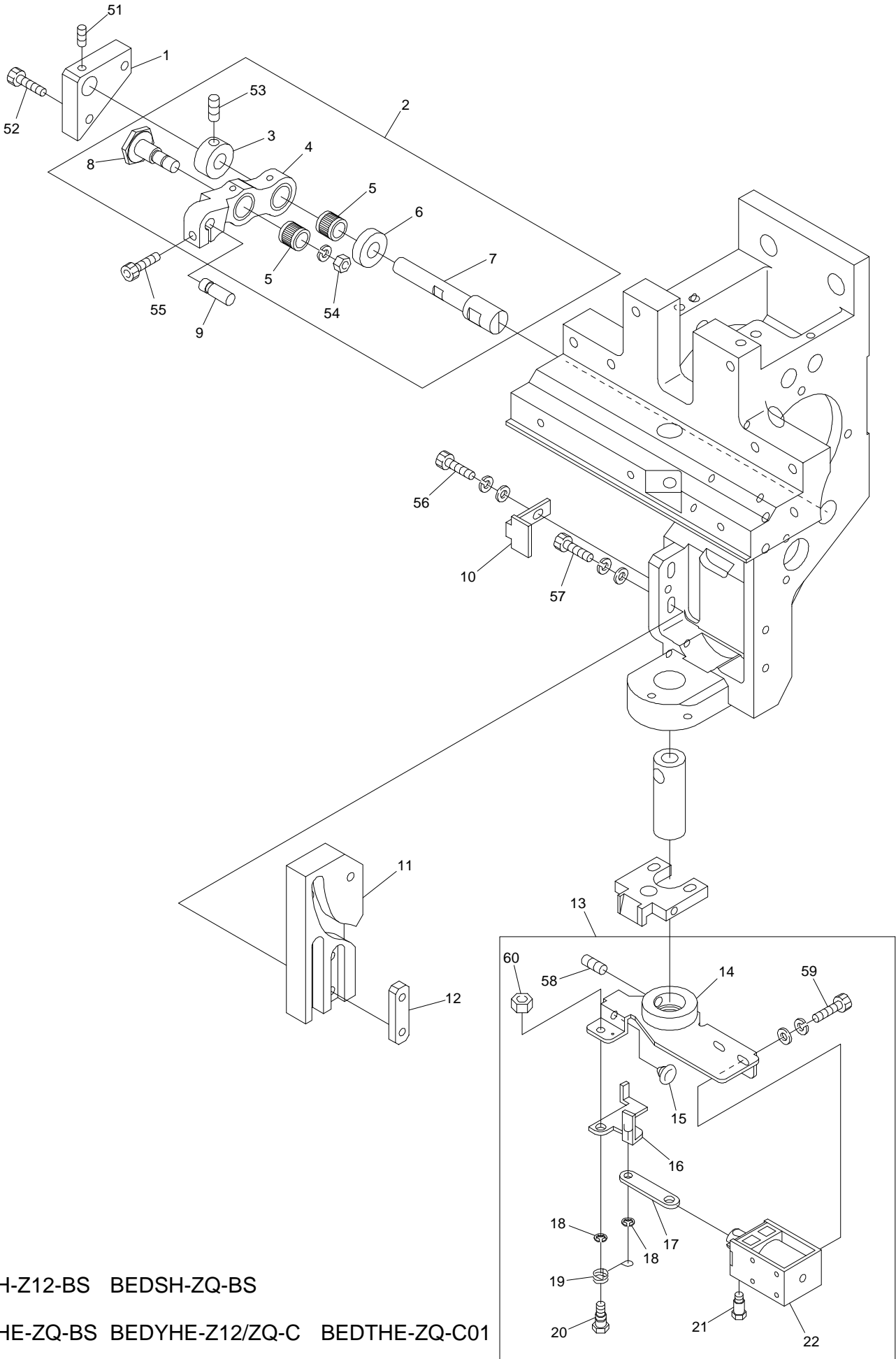
ITEM	LIST No.	DESCRIPTION	Q'TY	NOTE
1	RD230480	Needle bar a'ssy	1 5	
2	RD230490	Needle bar guide	1 5	
3	RH230410	Needle bar	1 5	
4	KV230040	Needle bar spring(Upper,for thick type)	1 5	
5	HT230330	Presser Foot set clamp	1 5	
6	HT230263	Washer for set clamp	1 5	
7	SG230220	Needle bar spring lower	1 5	
8	RD230370	Presser Foot (ZQ4)	1 5	
9	KF230910	O-ring(AN6227-5)	1 5	
10	HT230120	Washer 2.4	1 5	
11	RH230440	Needle clamp(With hook,set screw)	1 5	
12	RH230460	Needle clamp screw	1 5	
13	RH230450	Needle clamp(With hook)	1 5	
14	FN070011SNY	Needle(DBXK5-NY11S)	1 5	
15	SL230070	Take up lever shaft(ZQ6)	1	
16	SL230011	Slide block set (For color change connecting head)	1	
17	SL230021	Slide block	1	
18	RD230060	Bearing plate	1	
19	SL230031	Needle bar base	1	
20	SG230200	Take up lever collar(Z12)	2	
21	SG230230	Take up lever spacer(t=6.1)	2	
22	KX230152	Take up lever(ZN multi)	1 5	
23	KX230141	Take up lever spacer	1 3	
24	RD230201	Take up lever spacer collar	1	
25	SL230040	Needle bar stocker(ZQ6)	1	
26	A9014167	O-ring (SS065)	3 0	
27	SL230080	Needle bar felt	1	
28	SL230090	Slide block shim	1	
29	RV230180	Take up lever stocker	1	
30	SL230140	LM-guide(ZQ6)	1	
51		Hex.socket double point screw M4x4		
52		Hex.socket bolt M3x8		
53		Hex.socket set screw M4x4		
54		Hex.socket set screw M4x8		
55		Hex.socket bolt M4x10		
56		Hex.socket flush screw M3x14		
57		Truss screw M4x8		
58		Hex.socket bolt M3x35		
59		Hex.socket bolt M4x12		
60		Hex.socket bolt M5x15(With washers)		
61		Hex.socket bolt M4x14		

04B Needle bar B



BEDSH-Z12-BS BEDSH-ZQ-BS BEDSHE-ZQ-BS BEDYHE-Z12/ZQ-C BEDTHE-ZQ-C01

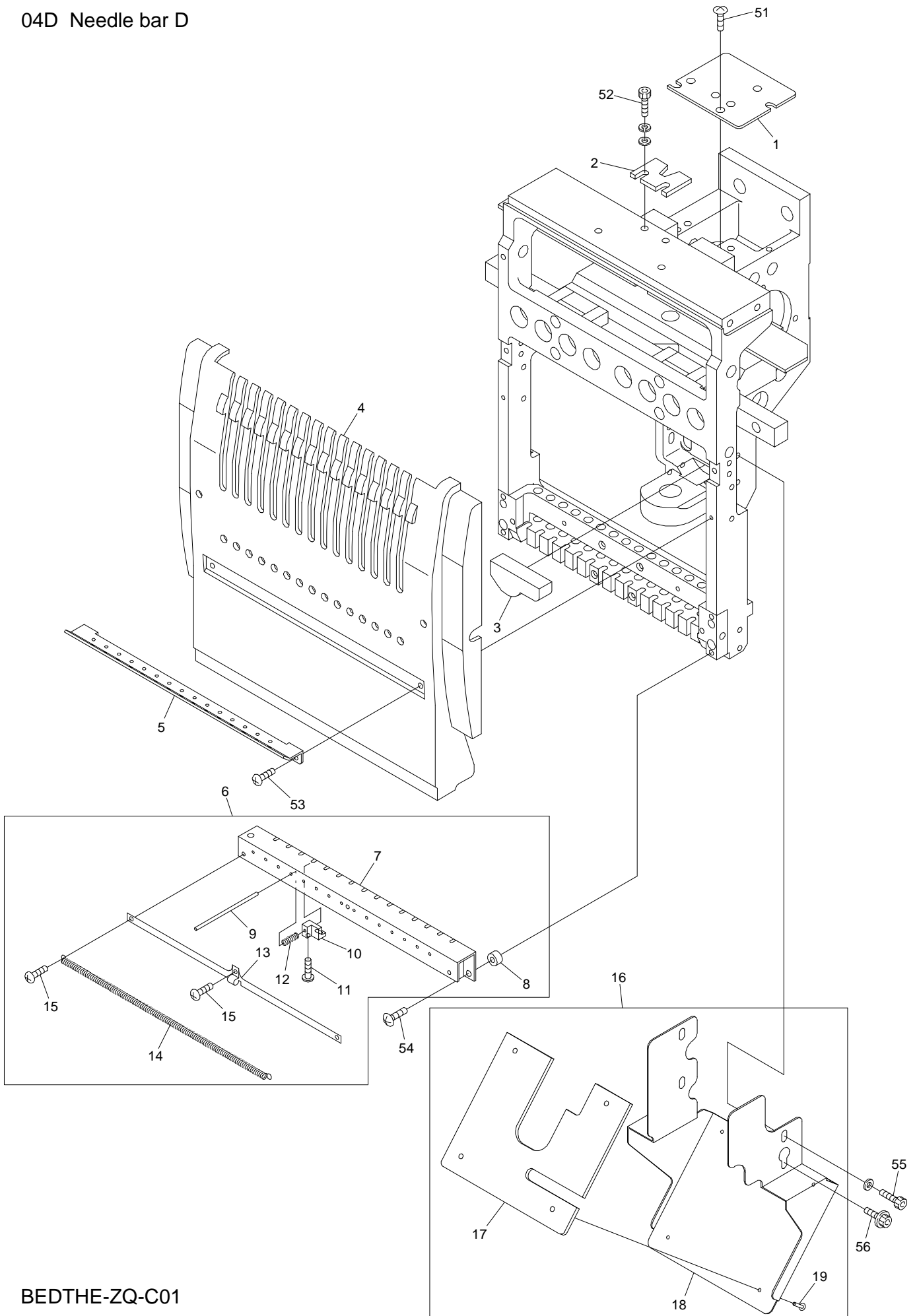
04C Needle bar C



BEDSH-Z12-BS BEDSH-ZQ-BS

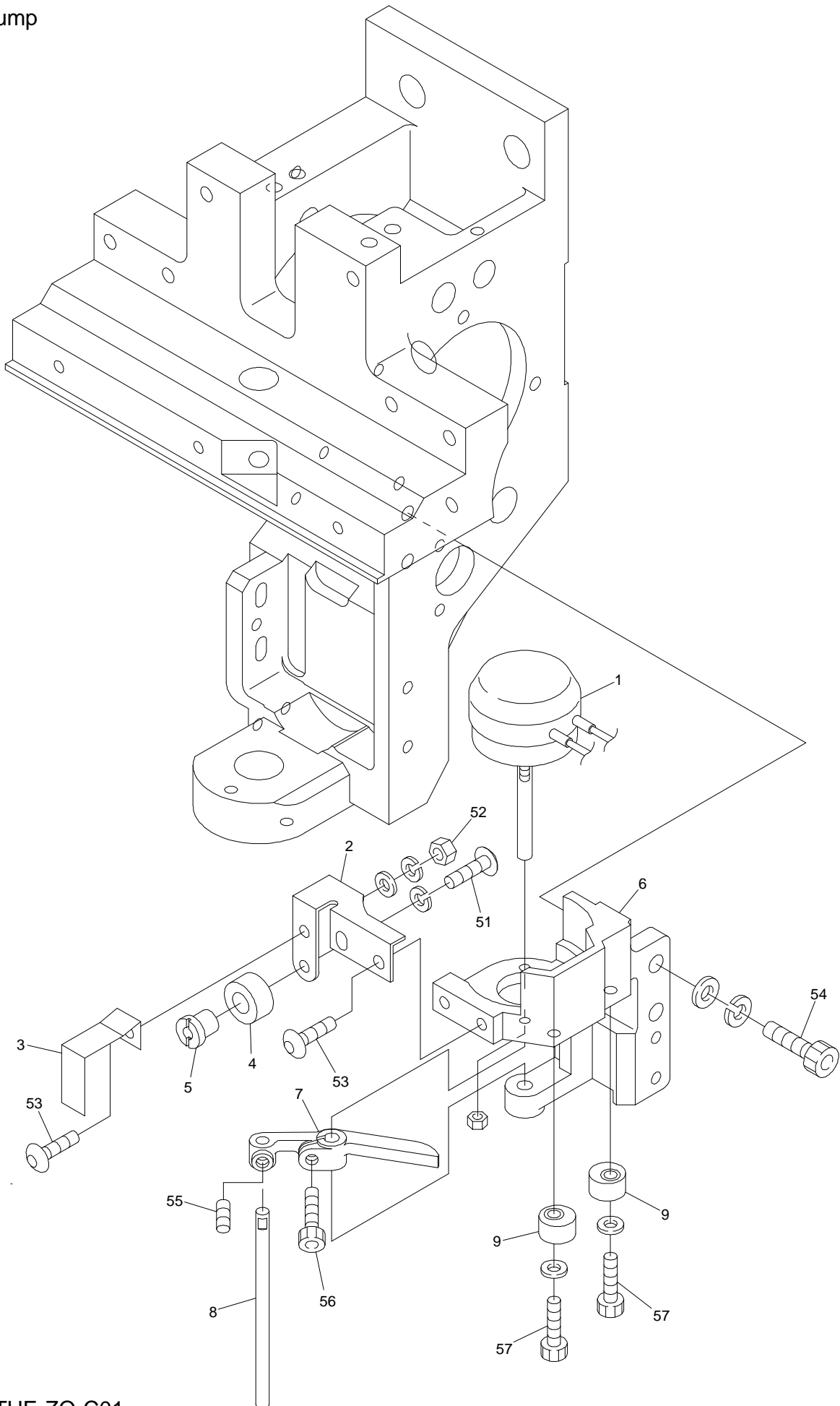
BEDSHE-ZQ-BS BEDYHE-Z12/ZQ-C BEDTHE-ZQ-C01

04D Needle bar D



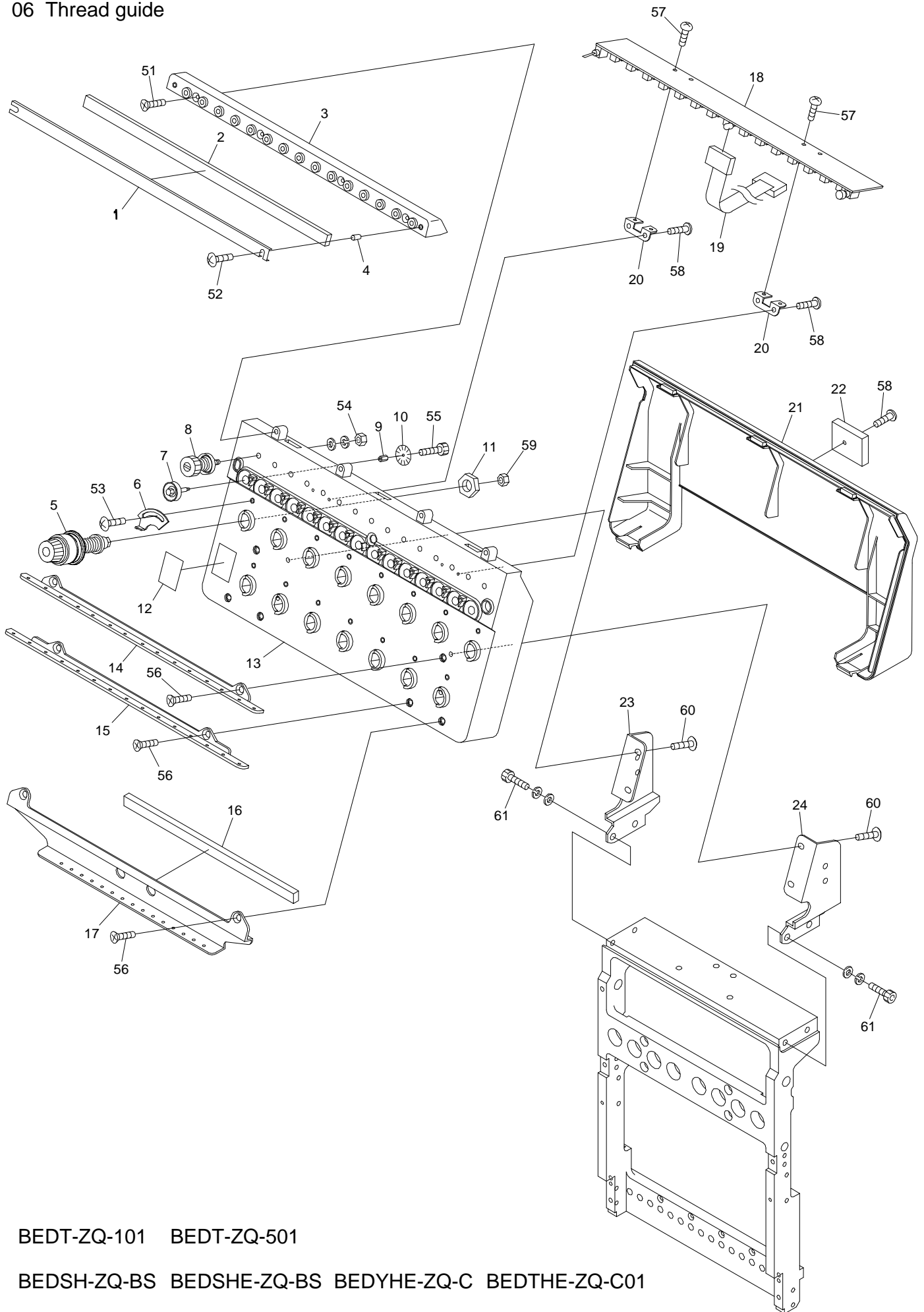
BEDTHE-ZQ-C01

05 Jump



BEDTHE-ZQ-C01

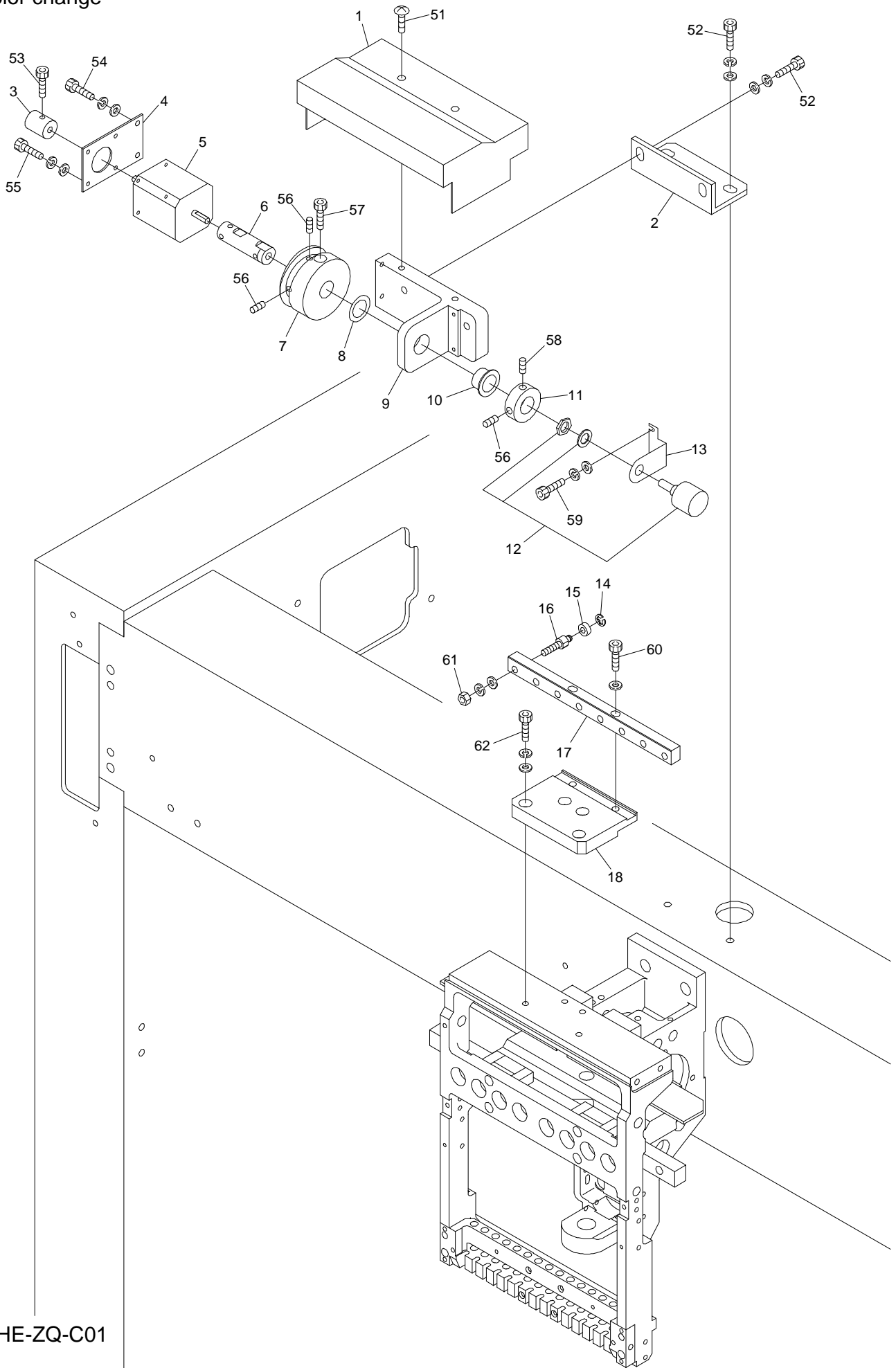
06 Thread guide



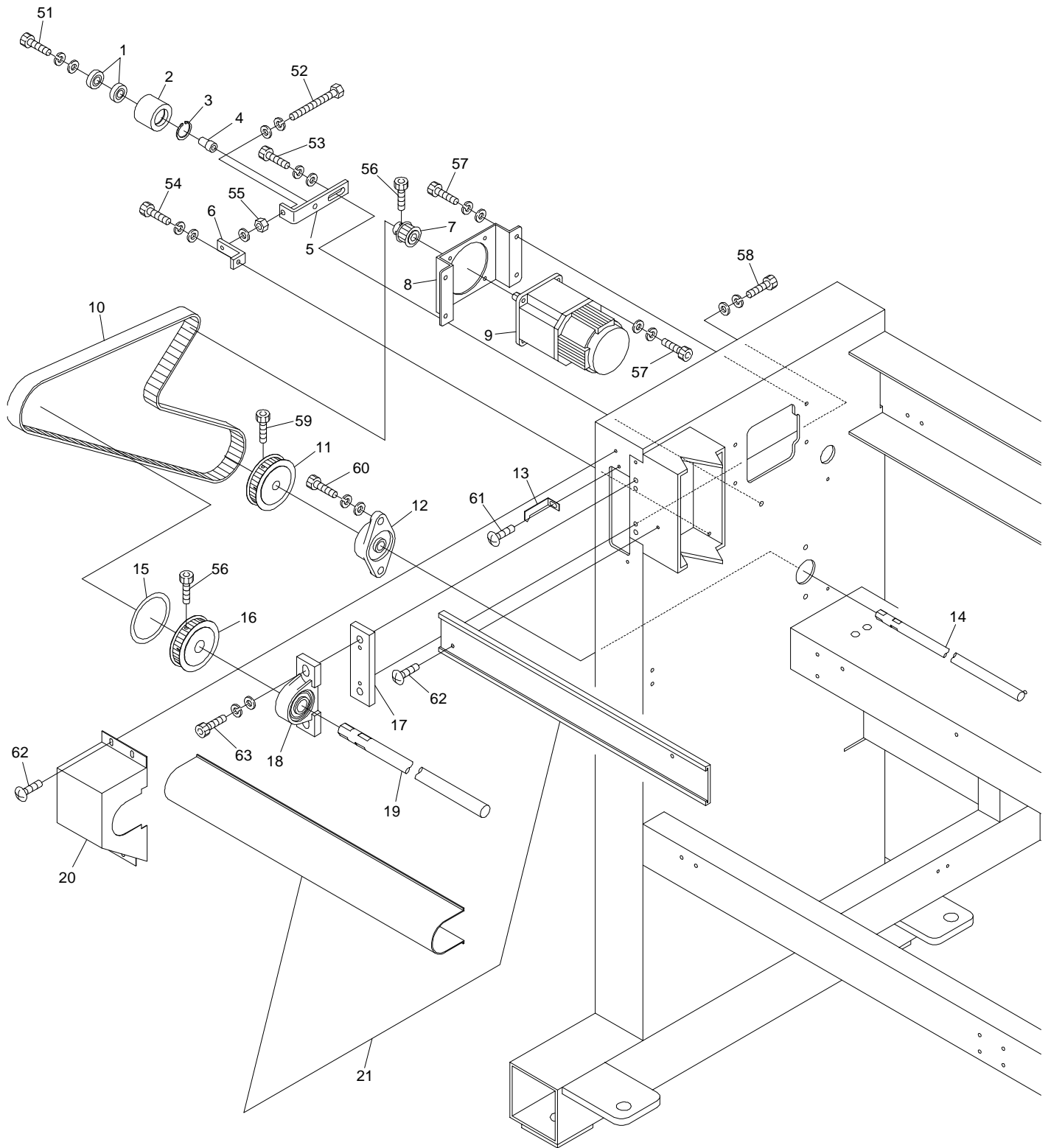
BEDT-ZQ-101 BEDT-ZQ-501

BEDSH-ZQ-BS BEDSHE-ZQ-BS BEDYHE-ZQ-C BEDTHE-ZQ-C01

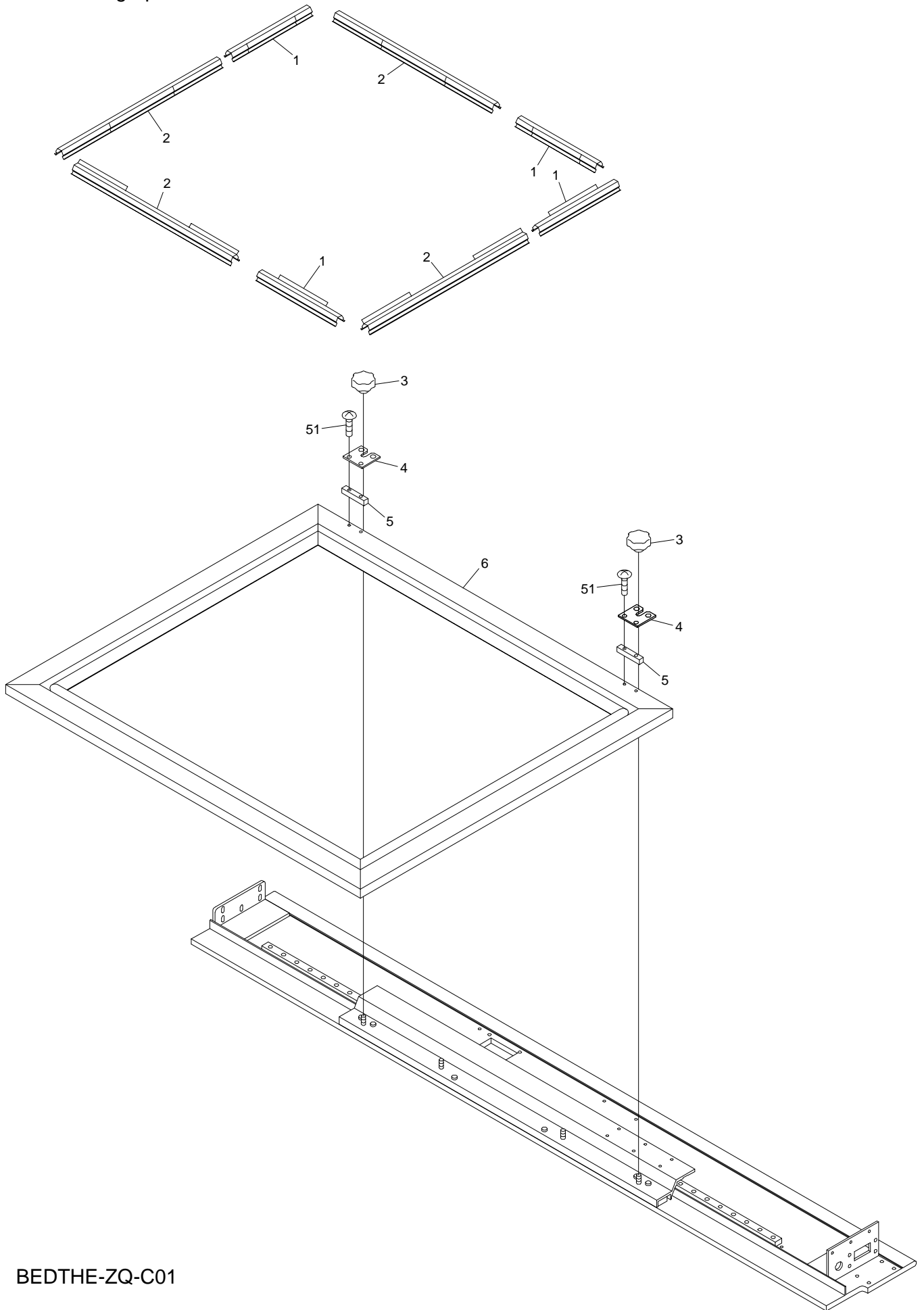
07 Color change



08 Drive

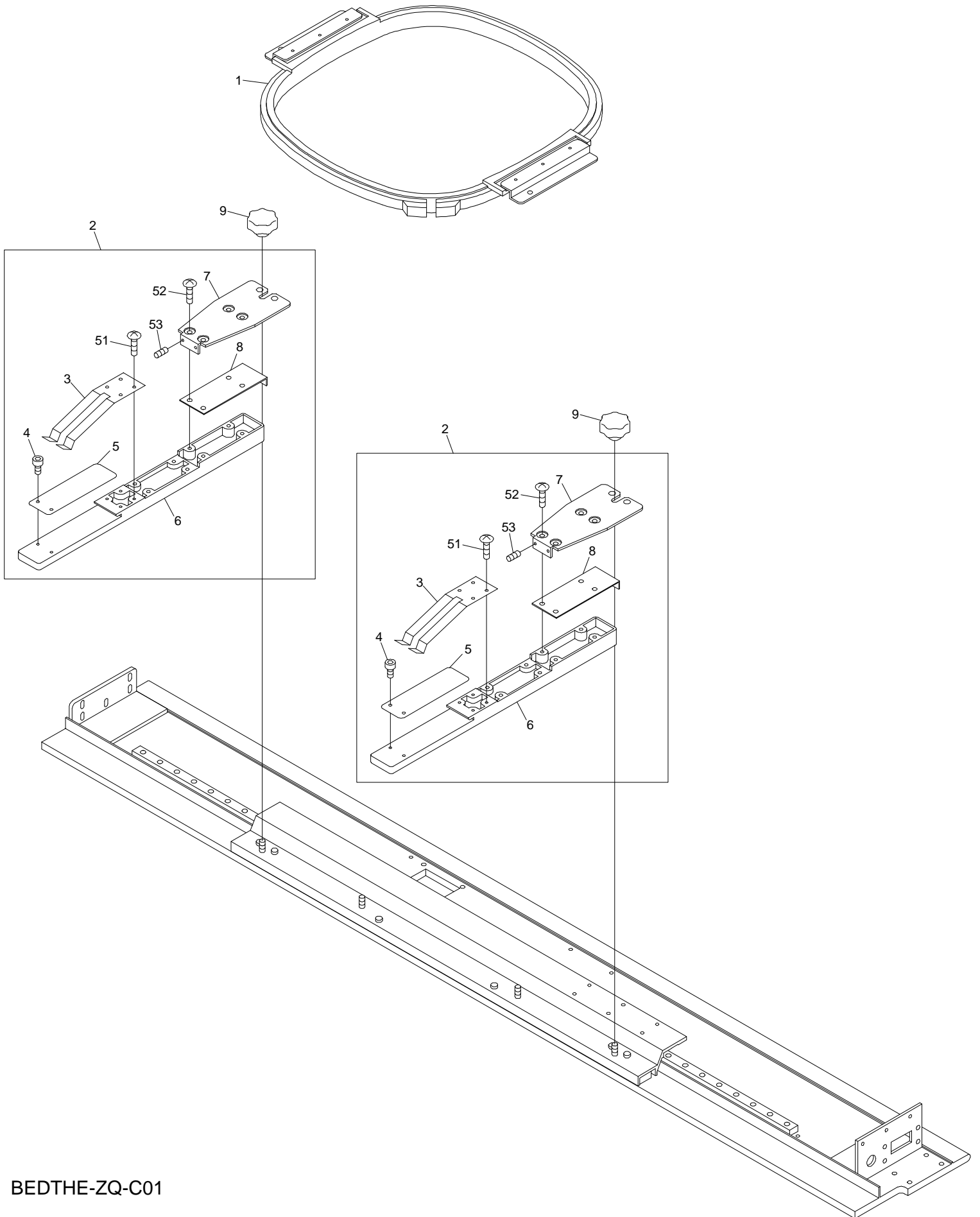


10A Pantograph drive A

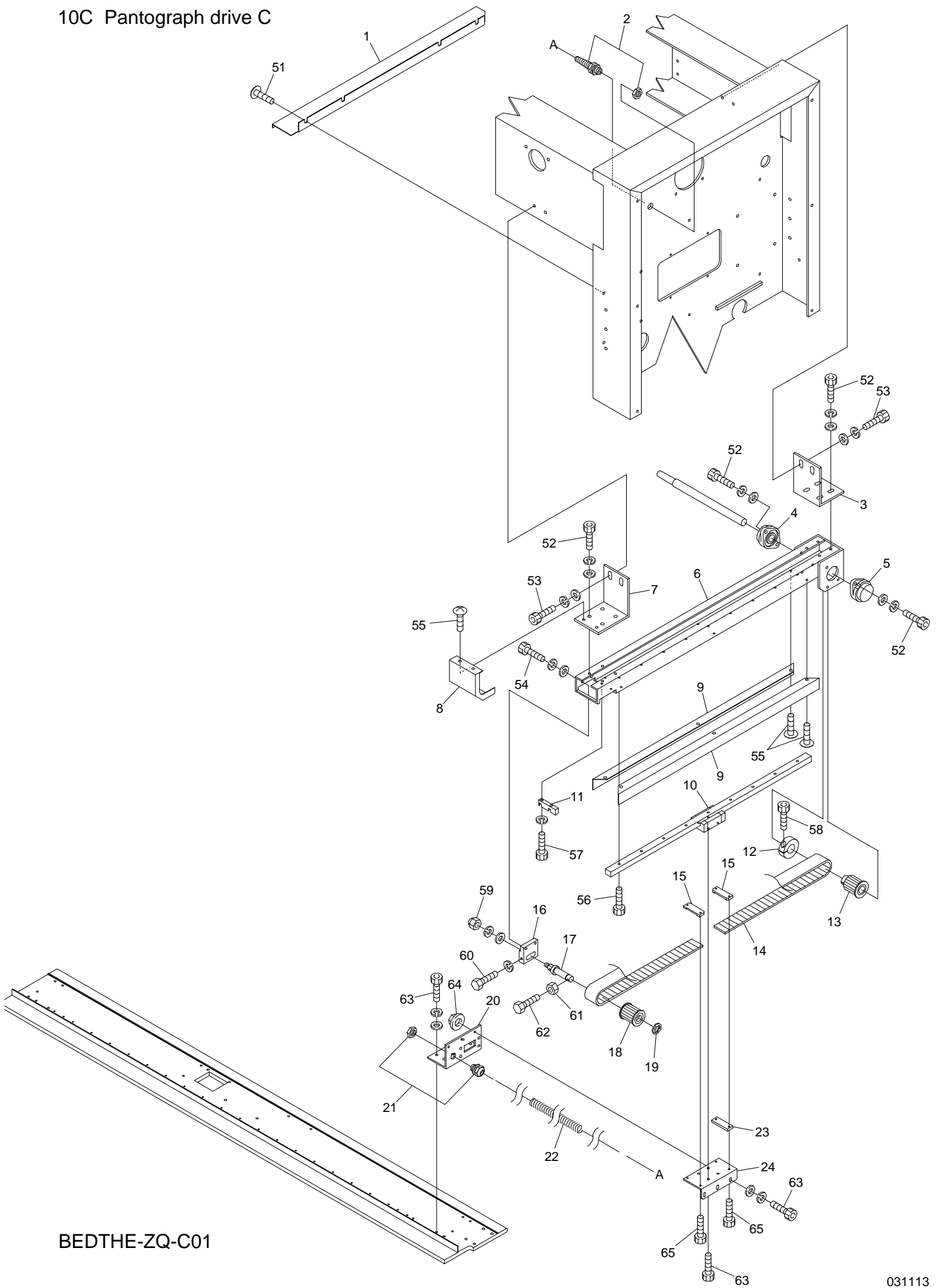


BEDTHE-ZQ-C01

10B Pantograph drive B

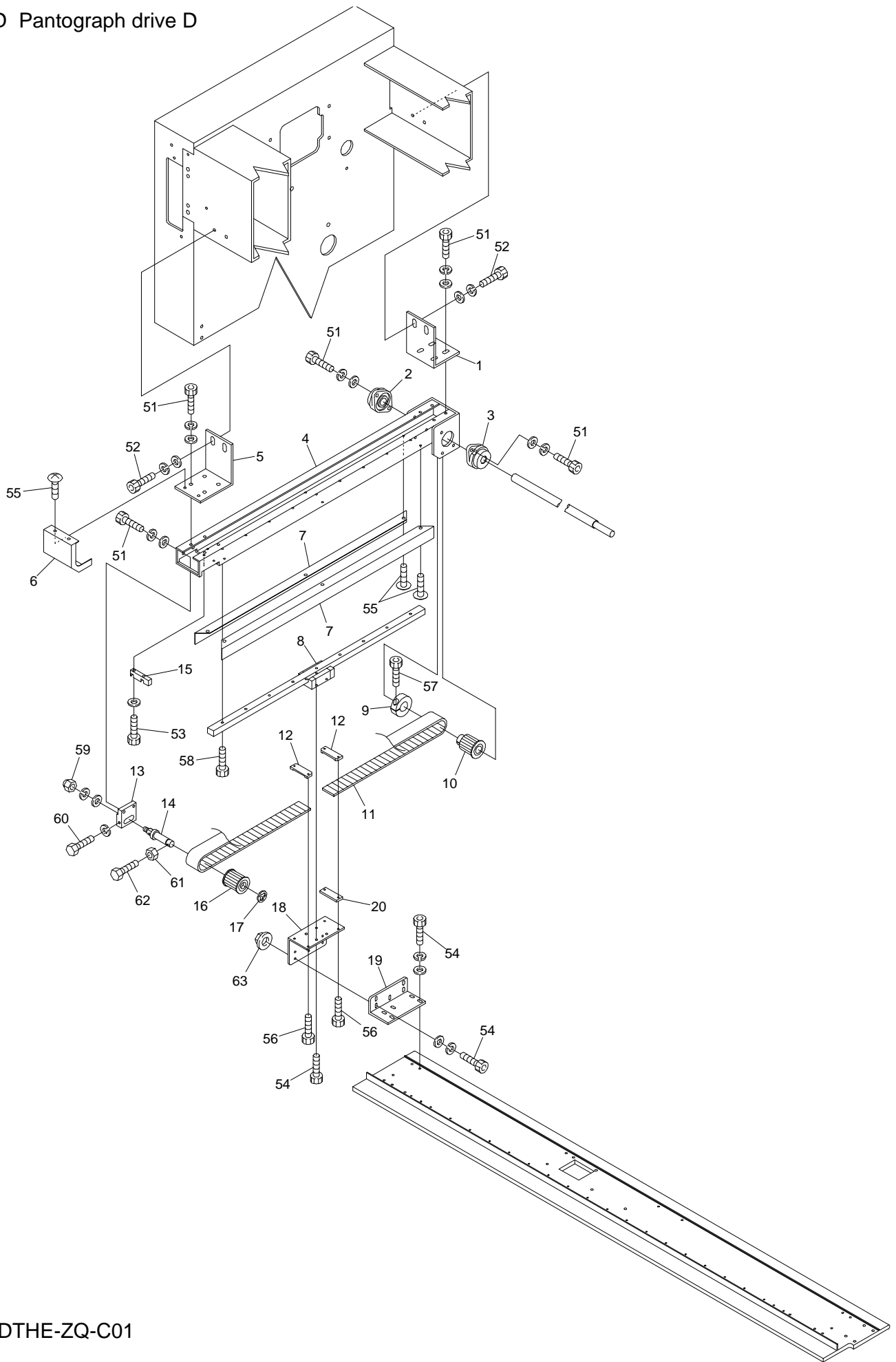


10C Pantograph drive C



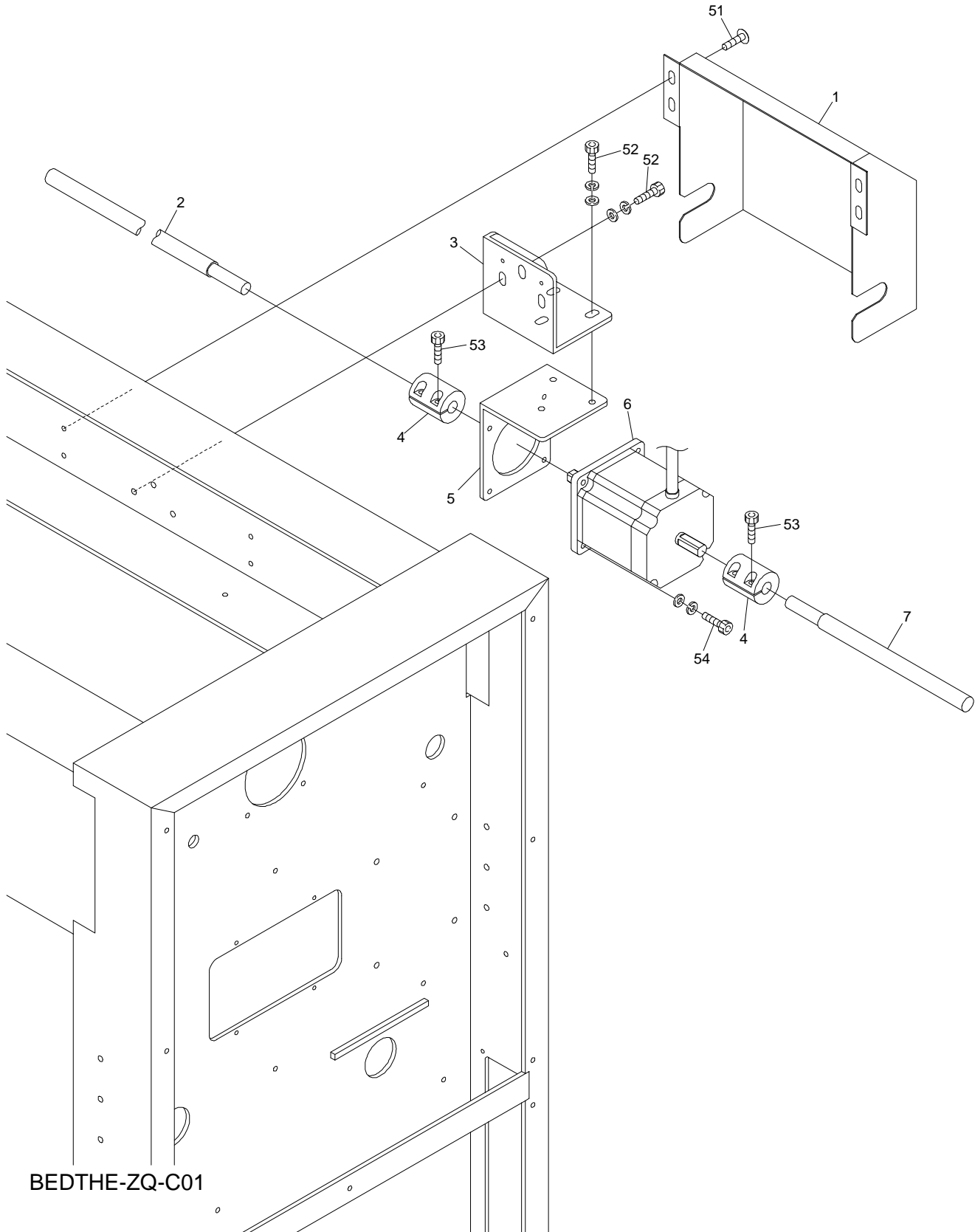
BEDTHE-ZQ-C01

10D Pantograph drive D



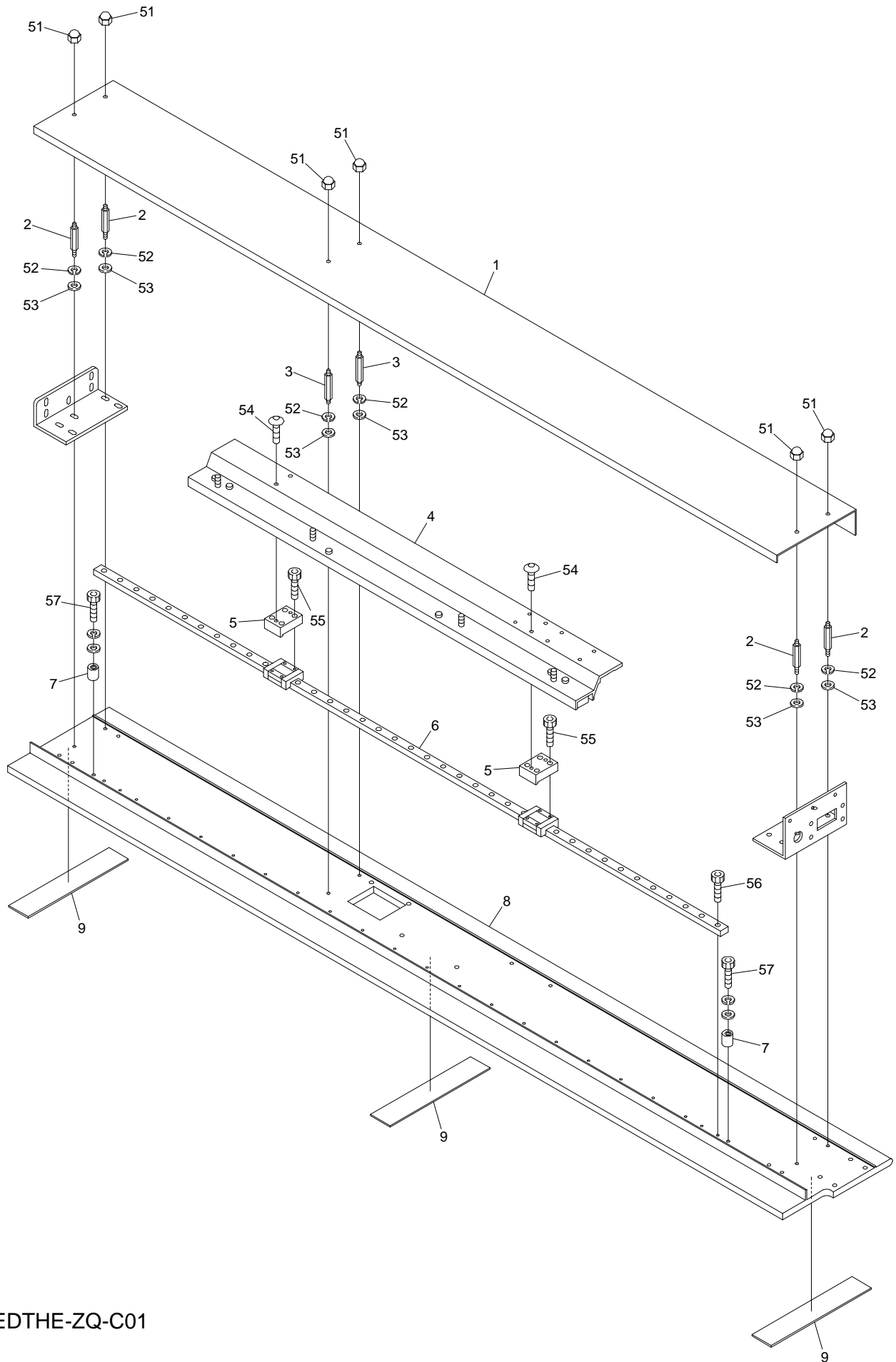
BEDTHE-ZQ-C01

10E Pantograph drive E



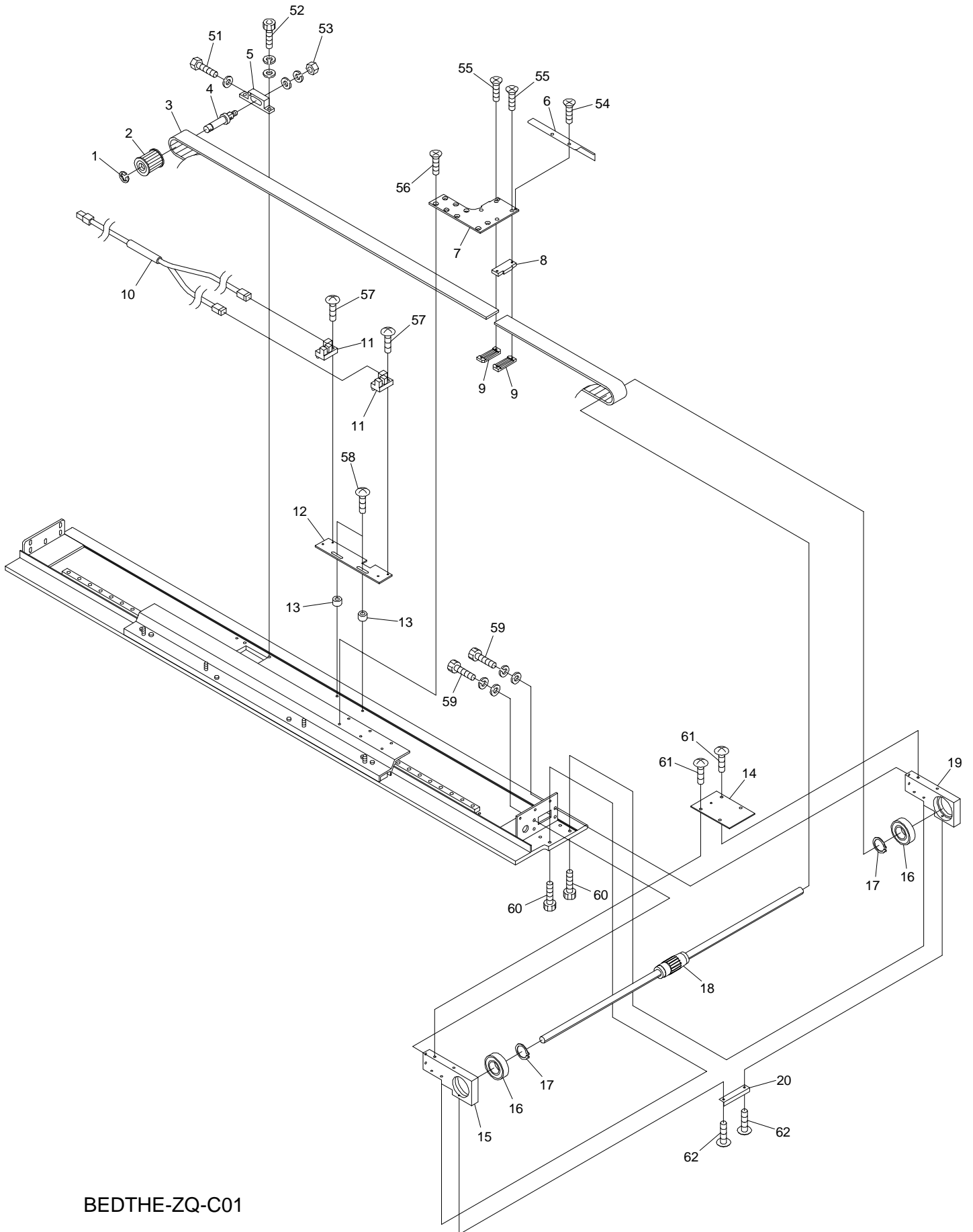
BEDTHE-ZQ-C01

10F Pantograph drive F



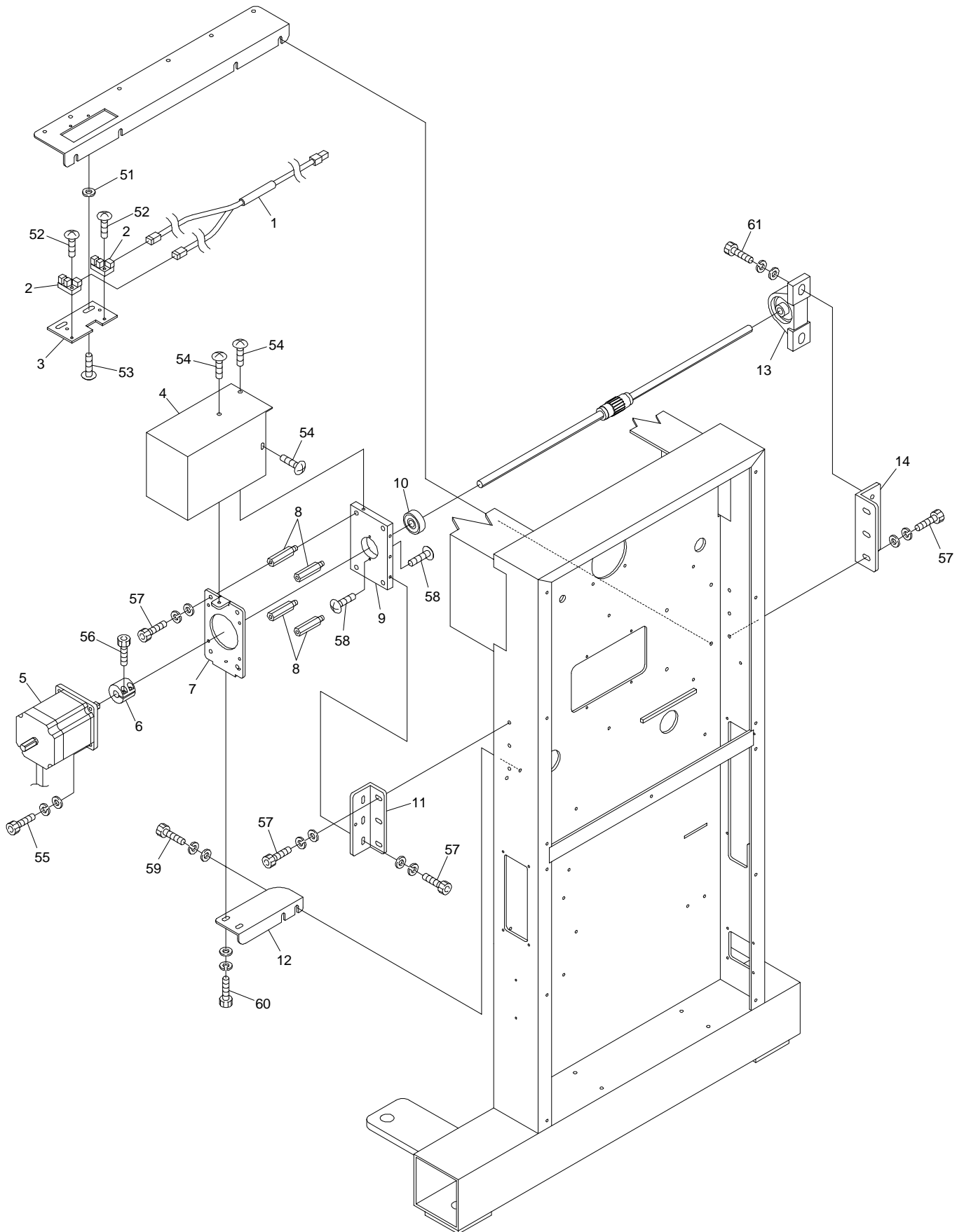
BEDTHE-ZQ-C01

10G Pantograph drive G



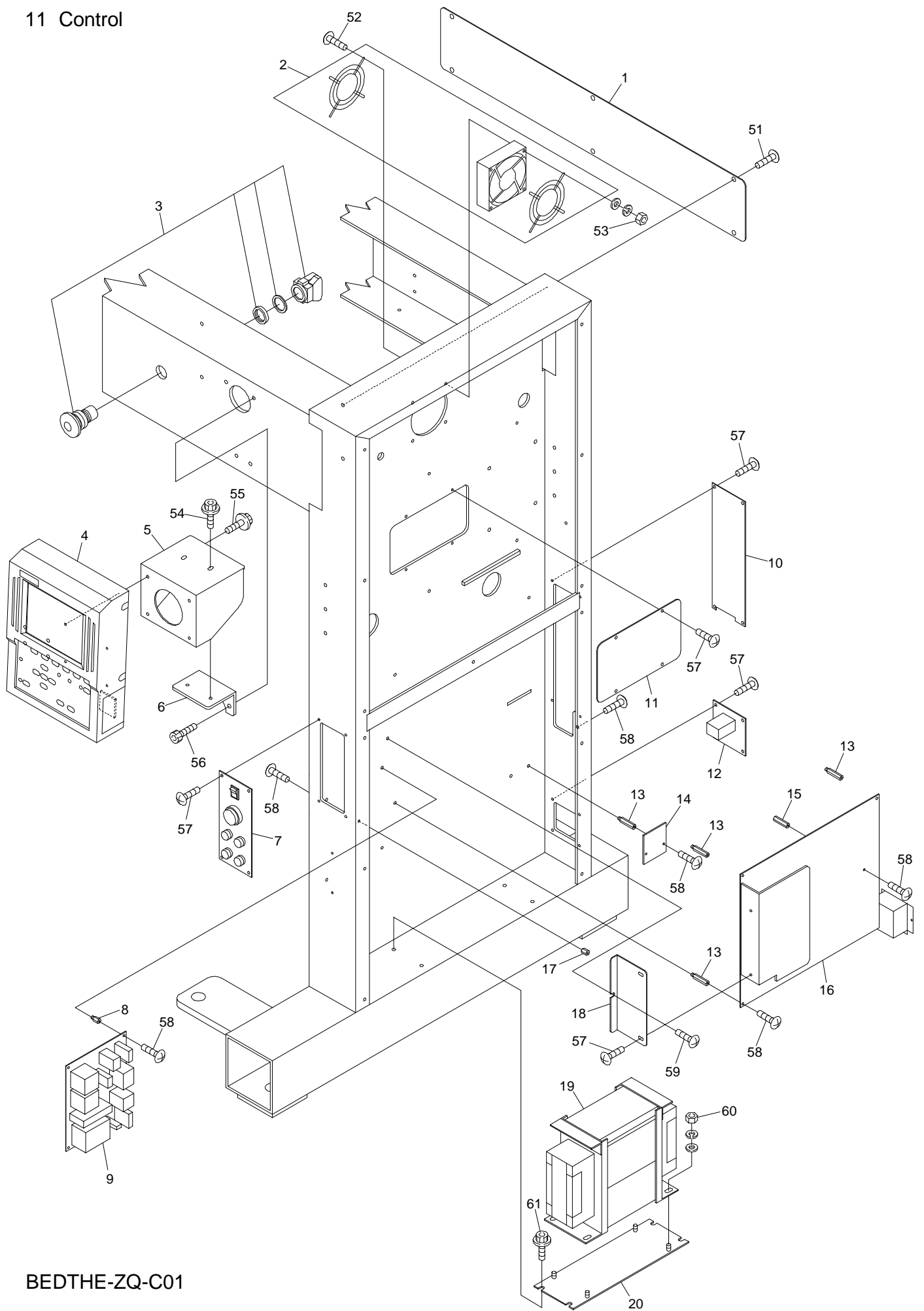
BEDTHE-ZQ-C01

10H Pantograph drive H



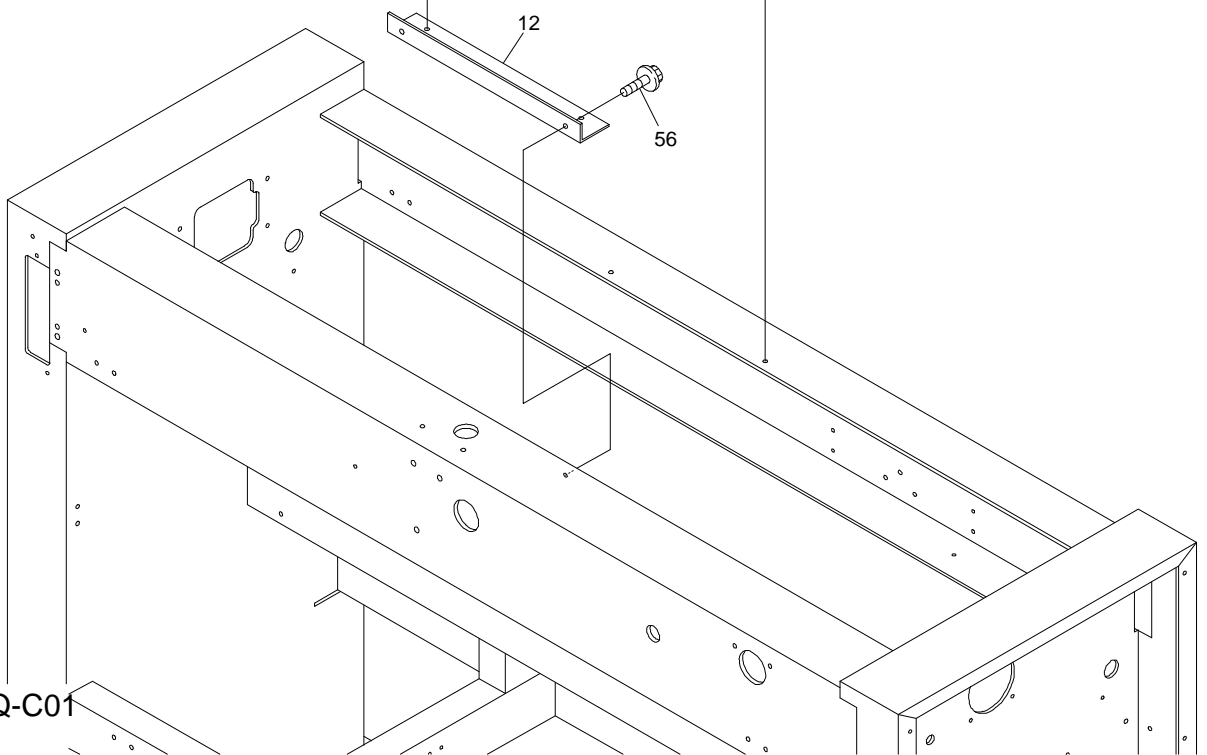
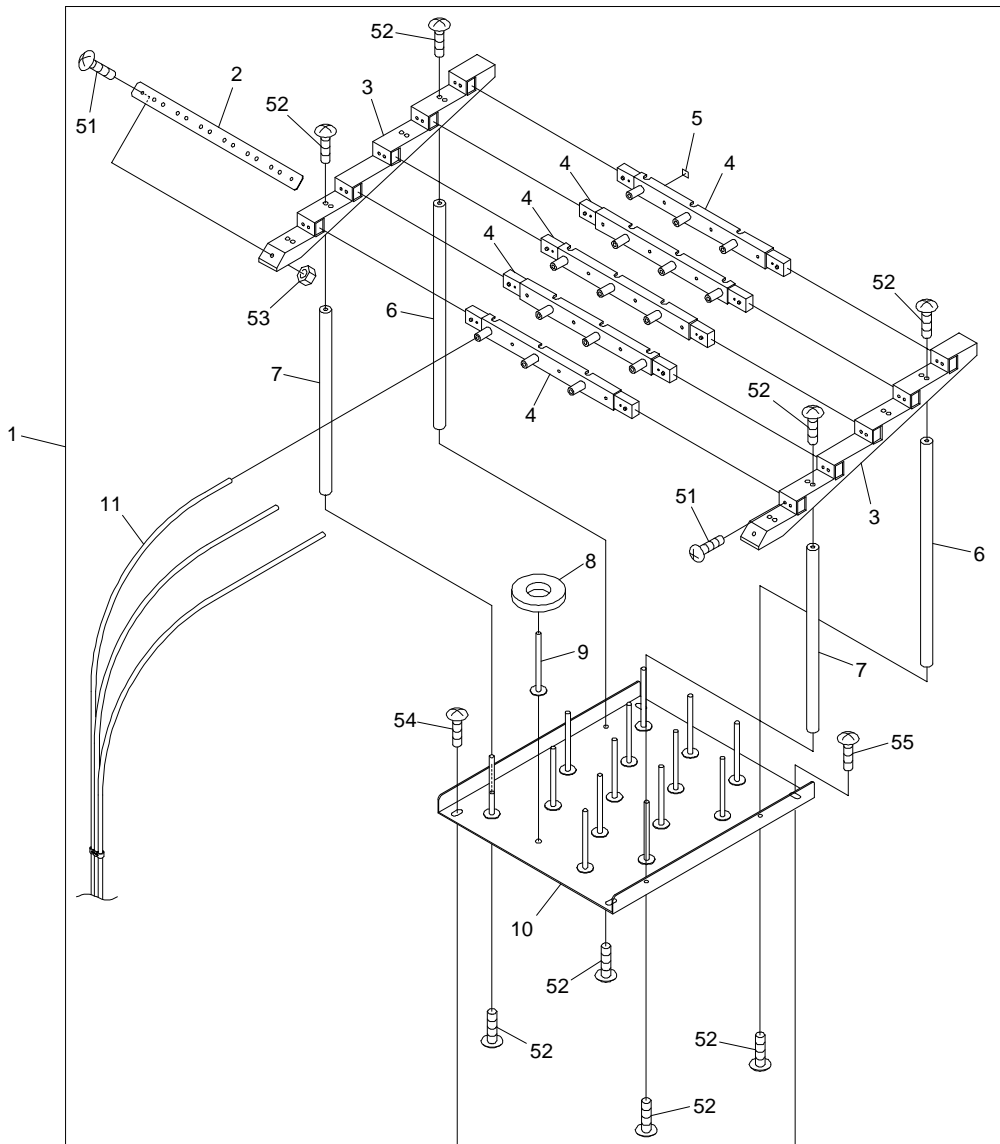
BEDTHE-ZQ-C01

11 Control



BEDTHE-ZQ-C01

12 Accessories



BEDTHE-ZQ-C01

I N D E X

LIST No.	SECTION No.	ITEM	LIST No.	SECTION No.
A 9 0 1 0 0 0 3	0 8	1	A 9 0 5 2 0 2 8	0 2 C
A 9 0 1 0 0 6 3	0 7	15	A 9 0 5 2 0 7 8	0 2 B
A 9 0 1 0 0 6 5	0 4 B	30	A 9 0 5 6 0 3 9	0 5
A 9 0 1 0 0 7 3	0 3	21	A 9 0 5 6 0 3 7	0 4 C
A 9 0 1 0 1 0 9	0 7	8	A 9 0 5 6 0 4 1	0 2 C
A 9 0 1 0 1 1 4	1 0 G	16	A 9 0 5 6 0 4 0	0 2 A
A 9 0 1 0 1 1 5	1 0 H	10	A 9 0 5 6 0 4 2	0 4 C
A 9 0 1 1 1 1 1	0 1 A	14	A 9 0 6 8 0 3 0	1 0 C
A 9 0 1 1 1 2 9	0 8	18	A 9 0 6 8 0 3 2	0 6
A 9 0 1 1 1 7 3	0 2 A	22	A 9 0 6 8 0 4 9	1 0 C
A 9 0 1 1 2 4 1	0 7	10	A 9 0 6 8 0 5 0	1 0 C
A 9 0 1 1 2 4 3	1 0 C	4	E A Y 0 7 0 A 1	1 1
A 9 0 1 1 2 4 3	1 0 D	3	E A Y 0 8 1 A 3	1 1
A 9 0 1 1 2 4 4	1 0 C	5	E B Y 0 1 6 2 5	0 6
A 9 0 1 1 2 4 4	1 0 D	2	E B Y 0 1 7 1 0	1 1
A 9 0 1 1 2 7 0	0 8	12	E B Y 0 2 6 1 0	0 6
A 9 0 1 1 2 7 1	1 0 H	13	E B Y 0 2 7 1 0	1 0 G
A 9 0 1 2 0 0 1	0 2 B	3	E B Y 0 2 7 1 0	1 0 H
A 9 0 1 2 0 2 7	0 1 A	25	E B Y 0 2 7 2 0	1 1
A 9 0 1 2 0 5 2	1 0 C	19	E B Y 0 2 8 4 0	1 1
A 9 0 1 2 0 5 2	1 0 D	17	E D Y 0 0 0 1 0	0 8
A 9 0 1 2 0 5 2	1 0 G	1	E D Y 0 0 0 2 0	1 0 E
A 9 0 1 2 0 6 3	0 8	3	E D Y 0 0 0 2 0	1 0 H
A 9 0 1 2 1 2 7	0 4 B	7	E D Y 0 0 0 4 0	1 1
A 9 0 1 2 1 2 7	0 4 C	18	E D Y 0 0 0 5 0	1 1
A 9 0 1 2 1 2 7	0 7	14	E D Y 0 0 0 6 0	1 1
A 9 0 1 2 3 6 8	0 4 B	21	E F Y 0 0 0 1 0	1 1
A 9 0 1 2 4 1 5	0 4 B	26	E P 5 3 0 2 3 0	1 0 H
A 9 0 1 2 4 2 1	0 3	22	E P 5 3 0 2 4 0	1 0 G
A 9 0 1 2 4 3 7	1 0 A	3	F N 0 7 0 0 1 1 S N	0 4 A
A 9 0 1 2 4 3 7	1 0 B	9	FR92300290A380A	1 0 B
A 9 0 1 2 4 3 8	0 6	4	FR92460434A520S	1 0 B
A 9 0 1 2 4 4 7	1 0 G	17	H B 2 3 0 0 7 0	0 3
A 9 0 1 3 0 6 6	0 2 A	8	H B 2 3 0 0 8 0	0 3
A 9 0 1 3 0 7 0	0 0 B	3	H B 2 3 0 2 0 0	0 4 B
A 9 0 1 4 0 5 9	0 1 A	7	H B 2 3 0 2 2 0	0 4 C
A 9 0 1 4 1 6 1	0 0 A	10	H B 2 3 0 2 6 1	0 4 C
A 9 0 1 4 1 6 2	0 0 A	14	H B 2 3 0 2 7 1	0 4 C
A 9 0 1 4 1 6 3	0 0 A	6	H B 2 3 0 2 8 1	0 4 C
A 9 0 1 4 1 6 6	0 4 C	15	H B 2 3 0 3 6 1	0 4 C
A 9 0 1 4 1 6 7	0 4 A	26	H B 2 3 0 6 2 0	0 3
A 9 0 1 4 1 6 8	0 4 D	19	H B 2 3 0 6 5 0	0 3

I N D E X

L I S T No.	SECTION No.	ITEM	L I S T No.	SECTION No.	ITEM
HB240041	05	9	HT230560	04B	25
HH481980	10C	12	HT230590	04C	1
HH481980	10D	9	HT230620	05	5
HH481991	10C	17	HT230730	04B	6
HH481991	10D	14	HT230750	04B	3
HH481991	10G	4	HT230760	04B	10
HM140120	00B	4	HT240101	06	10
HM270000	02A	25	HT240180	06	11
HP321090	01A	13	HT240290	06	7
HP321710C	01B	5	HT270063	04D	11
HP321720C	01B	1	HT270181	02A	3
HP482260	02B	5	HT710000	12	9
HP482260	10G	13	KC250482	01A	19
HP482940	10C	15	KC270101	04C	21
HP482940	10D	12	KC271001	02A	15
HP482940	10G	9	KC271940	02A	20
HS210020	01A	1	KF220230	01A	3
HS210021	01A	1	KF220240	01A	20
HS210031	01A	24	KF220290	01A	2
HS210042	01A	11	KF220302	01A	23
HS210051	02A	13	KF220421	01A	22
HS210060	02A	18	KF220530	01A	22
HS210070	02A	16	KF220700	01A	21
HS210080	02A	21	KF221020	01A	23
HS210090	02A	23	KF221040	01A	21
HS210100	02A	12	KF230501	03	5
HS210111	02A	10	KF230530	04B	8
HS210121	02A	11	KF230680	03	6
HS210142	02A	14	KF230910	04A	9
HS210300	02A	14	KF710390	12	8
HT220061	01A	5	KF730750	10A	2
HT230120	04A	10	KF730760	10A	1
HT230220	05	4	KL220120	01A	26
HT230263	04A	6	KL220140	01A	8
HT230280	04B	24	KL270091	02C	8
HT230290	04B	19	KL270101	02C	9
HT230330	04A	5	KL270120	02C	11
HT230340	04B	18	KL270131	02C	10
HT230410	04C	7	KL270260	02C	2
HT230450	04B	9	KL270450	02C	7
HT230471	04B	4	KN271560	02A	24
HT230480	04B	14	KN272010	02A	9
HT230491	04B	5	KN272401	02A	19
HT230510	04B	12	KN272401	02C	5
HT230520	04B	20	KN272401	10F	7

I N D E X

L I S T No.	SECTION No.	ITEM	L I S T No.	SECTION No.	ITEM
KN540510	06	9	MM310000	08	19
KV230040	04A	4	MM310010	08	14
KX230141	04A	23	MM310020	08	16
KX230152	04A	22	MM310030	08	11
KX250080	01A	9	MM310040	08	7
KX250080	02A	2	MM310050	08	17
KX270000	02A	26	MM310060	08	8
KX270010	02A	6	MM310070	08	13
KX270070	02C	12	MM310080	08	20
KX270430	02A	27	MM310090	08	15
KX330160	07	16	MM310100	01B	2
LA230140	04B	28	MM330010	07	18
LA270080	02C	15	MM330020	07	9
LA730590	10B	6	MM330030	07	4
LA730610	10B	4	MM330040	07	2
LA730630	10B	5	MM330050	07	1
LA730650	10B	3	MM480000	10E	3
MF510000	01B	3	MM480010	10E	5
MF510010	07	12	MM480020	10E	7
MF510020	02B	9	MM480030	10E	2
MG330010	07	17	MM480040	10E	1
MG330030	07	7	MM480050	10C	20
MG330040	07	6	MM480060	10H	3
MG330070	07	13	MM480070	10G	20
MG330080	07	11	MM480080	10F	8
MG330090	07	3	MM480090	10F	6
MG330110	07	5	MM480100	10F	5
MH230161	05	3	MM480110	10F	4
MK230080	04C	12	MM480120	10G	7
MM120000	00B	2	MM480130	10G	12
MM120010	00B	1	MM480140	10G	6
MM140000	00B	7	MM480150	10F	1
MM160000	00A	5	MM480160	10G	15
MM240010	06	17	MM480170	10G	19
MM250000	08	21	MM480180	10G	18
MM250010	11	1	MM480190	10G	8
MM250020	10C	1	MM480200	10H	11
MM250040	11	10	MM480210	10H	9
MM250050	11	11	MM480220	10H	8
MM270000	04C	13	MM480230	10H	7
MM270020	02B	7	MM480240	10H	12
MM270030	02B	6	MM480250	10H	4
MM270040	02B	4	MM480260	10H	6
MM270050	02B	8	MM510020	11	13
MM270060	02B	1	MM510030	11	8

I N D E X

L I S T No.	SECTION No.	ITEM	L I S T No.	SECTION No.	ITEM
MM510040	11	20	RN230040	03	20
MM510050	11	18	RP480200	10C	11
MM510060	11	5	RP480200	10D	15
MM510070	11	6	RQ310000	08	2
MM510080	11	15	RR230080	04C	4
MM510090	11	17	RR230090	04C	2
MM710000	12	12	RR240300	06	8
MM730000	10A	6	RR240330	06	20
RD230060	04A	18	RR240390	06	12
RD230130	03	9	RR240510	06	6
RD230150	04B	2	RR320020C	03	15
RD230201	04A	24	RR320030	03	14
RD230250	05	6	RV230060	03	8
RD230370	04A	8	RV230070	03	1
RD230480	04A	1	RV230180	04A	29
RD230490	04A	2	RV240010	06	13
RD240154	06	5	RV240020	06	3
RD240271	04D	5	RV240040	06	14
RD270020	02C	14	RV240050	06	15
RD270040	02C	13	RV240062	06	17
RD710310	12	11	RV240071	06	24
RD710330	12	4	RV240081	06	23
RD710340	12	3	RV240091	06	16
RD710351	12	7	RV240100	06	1
RD710361	12	6	RV240110	06	2
RD710370	12	2	RV250070	04D	1
RD710380	12	5	SC140020	00B	11
RH230271	03	29	SC140030	00B	10
RH230280	03	28	SC140090	00B	5
RH230300	03	27	SC140120	00A	8
RH230311	03	3	SC140130	00A	3
RH230320	03	13	SC140140	00B	6
RH230330	03	30	SC140160	00A	9
RH230410	04A	3	SC140170	00A	7
RH230440	04A	11	SC140180	00A	13
RH230450	04A	13	SC160010	00A	16
RH230460	04A	12	SC160020	00A	17
RH230540	04B	23	SC160030	00A	18
RH230550	04B	22	SC210000	01A	15
RH230610	03	11	SC210010	00B	8
RH230801	03	2	SC210010	01A	16
RH230810	03	4	SC250040	10C	8
RN230010	03	17	SC250040	10D	6
RN230020	03	19	SC250070	10C	9
RN230030	03	18	SC250070	10D	7

I N D E X

L I S T No.	SECTION No.	ITEM	L I S T No.	SECTION No.	ITEM
SC250080	01B	4	SG250060	04D	17
SC310021	08	4	SG270000	04D	10
SC310030	08	5	SG270030	02C	15
SC310150	08	6	SG270040	02C	13
SC480010	10C	18	SG270050	04C	14
SC480010	10D	16	SG270060	04C	16
SC480010	10G	2	SG270070	04C	17
SC480020	10C	14	SG270081	02C	4
SC480020	10D	11	SG270090	02C	6
SC480040	10C	10	SG270100	02C	14
SC480040	10D	8	SG270110	04C	20
SC480070	10H	14	SG270120	04C	19
SC480090	10D	19	SG270130	04D	9
SC480120	10C	24	SG270140	04D	8
SC480130	10D	18	SG270180	04D	12
SC480210	10C	7	SG270190	04C	13
SC480210	10D	5	SJ140000	00B	12
SC480230	10G	14	SJ140010	00B	9
SC480330	10C	3	SJ140040	00A	2
SC480330	10D	1	SJ140050	00A	1
SC480830	10F	9	SJ140120	00A	11
SC481120	10F	2	SJ140130	00A	12
SC481130	10F	3	SJ160040	00A	4
SC710010	12	10	SJ210040	02A	18
SC730030	10A	5	SJ210080	01A	18
SC730041	10A	4	SJ210090	01A	17
SC730092	10B	2	SJ210120	01A	10
SC730102	10B	7	SJ210150	01A	17
SC730111	10B	8	SJ220010	01A	6
SG230000	04B	17	SJ220020	01A	4
SG230031	04B	16	SJ240010	06	21
SG230160	04D	2	SJ240030	06	21
SG230170	04B	1	SJ270020	02A	4
SG230180	04B	13	SJ270030	02A	7
SG230190	04B	15	SJ270040	02A	5
SG230200	04A	20	SJ270110	02A	28
SG230210	04C	11	SJ270120	02A	1
SG230220	04A	7	SJ320010	01A	12
SG230230	04A	21	SJ480000	10C	13
SG230260	05	2	SJ480000	10D	10
SG230270	04C	10	SJ480010	10C	6
SG230280	04D	3	SJ480010	10D	4
SG230300	04B	29	SJ480020	10C	23
SG230340	03	25	SJ480020	10D	20
SG230350	03	16	SJ480080	10C	16

